

## Product Description

LF-GIF060YA II is a 60W isolated constant current LED driver for indoor lighting. It has features of high efficiency, high PF, low THD and low modulation depth.

## Feature

- Suitable for Class II light fixtures
- Input voltage of 220-240V, modulation depth≤0.5%
- PF≥0.95, high efficiency≥90%, THD≤10%
- 5-year warranty (Please refer to the warranty condition.)

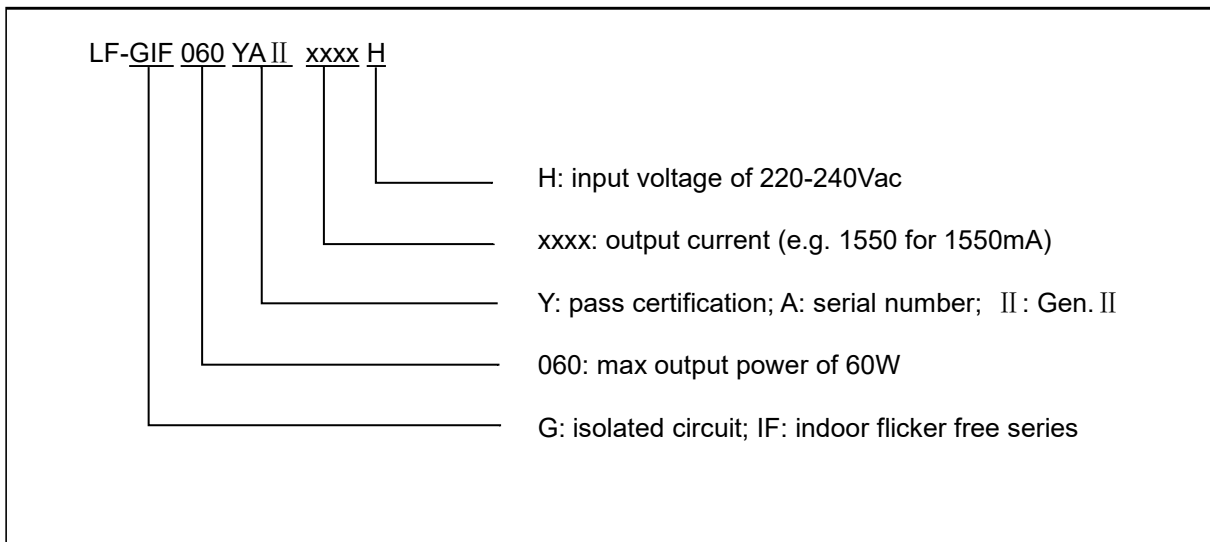


## Application

- Commercial lighting
- Decorative lighting
- Indoor office lighting
- Residential lighting
- Classroom lighting



## Product Naming



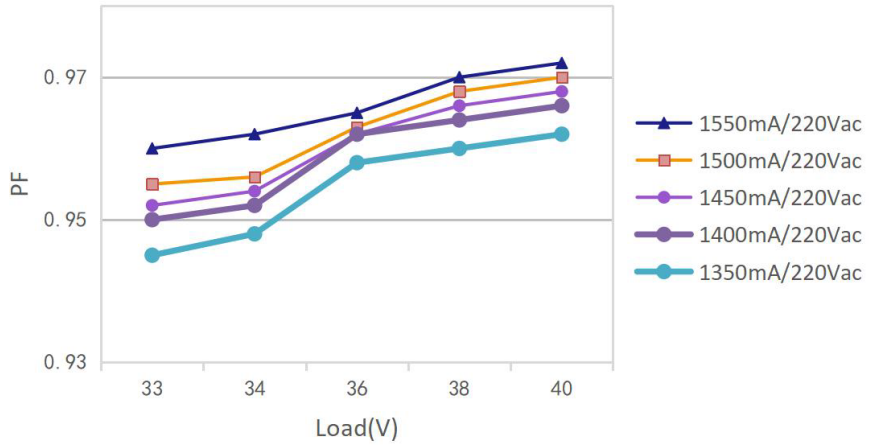
Electrical Characteristics

Model		LF-GIF060YA II xxxxH				
<b>Output</b>	Output Voltage	33-40V				
	Output Current	1350mA	1400mA	1450mA	1500mA	1550mA
	Percent Flicker (Modulation Depth)	≤0.5% (IEEE 1789)				
	Current Tolerance	±5%				
	Temperature Drift	±10%				
	Start-up Time	<0.5S				
<b>Input</b>	Input Voltage	220-240Vac (limit: 200-264Vac)				
	Input Frequency	47Hz-63Hz				
	Input Current	0.5A Max.				
	Power Factor	≥0.95@220Vac				
	THD	≤10%@220Vac				
	Efficiency	≥90%@220Vac				
	Inrush Current	≤28A & 170uS @220Vac				
	Load Quantity Carried by the Circuit Breaker	Circuit Breaker Model	B10	C10	B16	C16
		Quantity (pcs)	20	34	33	56
	Leakage Current	≤0.7mA				
Standby Power Consumption	/					
<b>Protection Characteris- tics</b>	Open Circuit Protection	<55V				
	Short Circuit Protection	Hiccup mode (auto-recovery)				
<b>Environment Description</b>	Operating Temperature	-30℃~+45℃				
	Operating Humidity	20-90%RH (no condensation)				
	Storage Temperature/ Humidity	-40℃~+ 80℃ (six months under class I environment); 10-90%RH (no condensation)				
	Atmospheric Pressure	86KPa~106KPa				

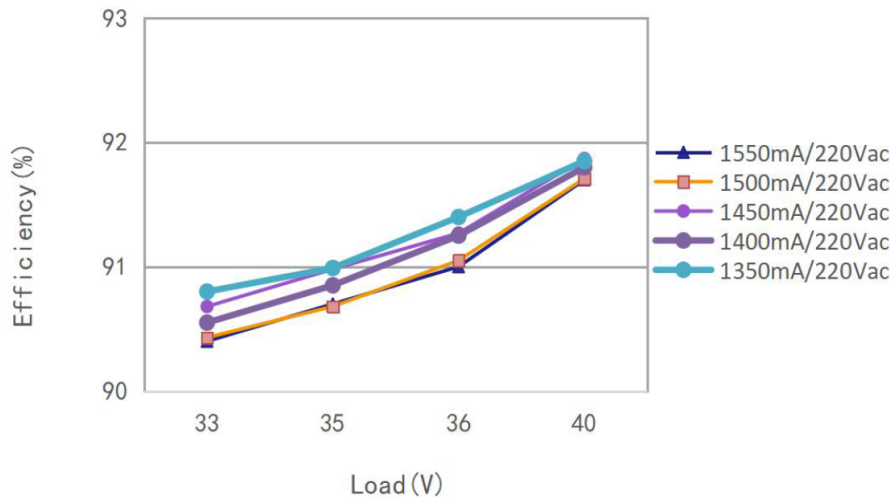
<b>Safety &amp; Electromagnetic Compatibility</b>	Certifications	ENEC, CE, CB, RCM, CCC
	Withstanding Voltage	I/P-O/P: 3.75KV, 5mA, 60S
	Insulation Resistance	I/P-O/P: >100MΩ @ 500Vdc
	Safety Standards	ENEC: EN61347-1:2015, EN 61347-2-13:2014/A1:2017, EN 62384: 2016/A1:2009 CE-LVD: EN 61347-2-13:2014/A1:2017, EN 61347-1:2015, EN 62493:2015 CB: IEC 61347-1:2015, IEC61347-2-3:2014, IEC 61347-2-13:2014/AMD1:2016 CCC: GB19510.1-2009, GB19510.14-2009
	EMI	CE-EMC/RCM: EN55015,EN61000-3-2,EN61000-3-3 CCC: GB/T17743,GB17625.1,GB17625.2
	EMS	CE-EMC/RCM: EN61000-4-2,3,4,5(lightning strike 1KV),6,11 CCC: GB/T17626.2,3,4,5(lightning strike 1KV),6,11
<b>Others</b>	IP Rating	IP20
	RoHS	RoHS 2.0 (EU) 2015/863
	Warranty Condition	5 yrs (TC≤85℃)
<b>Test Equipment</b>	AC power source: CHROMA6530, digital power meter: CHROMA66202, Oscilloscope: Tektronix DPO3014, DC electronic load: M9712B, LED board, constant temperature and humidity chamber, lightning surge generator: Everfine EMS61000-5B, rapid group pulse generator: Everfine EMS61000-4A, spectroanalyzer: KH3935, hi-pot tester: TH9201B, flicker-free tester (flicker-free coefficient tester) 60N-01, etc.	
<b>Remarks</b>	<ol style="list-style-type: none"> <li>1. It is recommended that customer should install overvoltage and undervoltage protection devices and surge protection devices in the power supply circuits of the light fixtures to ensure safety before connecting to electricity.</li> <li>2. As an accessory, the LED driver is not the only factor determining the EMC performance of the LED light fixture. The structure and the wiring of the light fixture are also relevant. Thus it's strongly recommended the LED light fixture manufacturer should re-confirm the EMC of the whole LED light fixture.</li> <li>3. The test conditions of the circuit breaker configuration quantity are the same as those of the inrush current test.</li> <li>4. Unless otherwise stated, the parameters above are test results under these conditions: ambient temperature 25℃, humidity 50%, 100% load and input voltage 220Vac.</li> </ol>	

**Product Characteristic Curves**

■ **PF Curve**

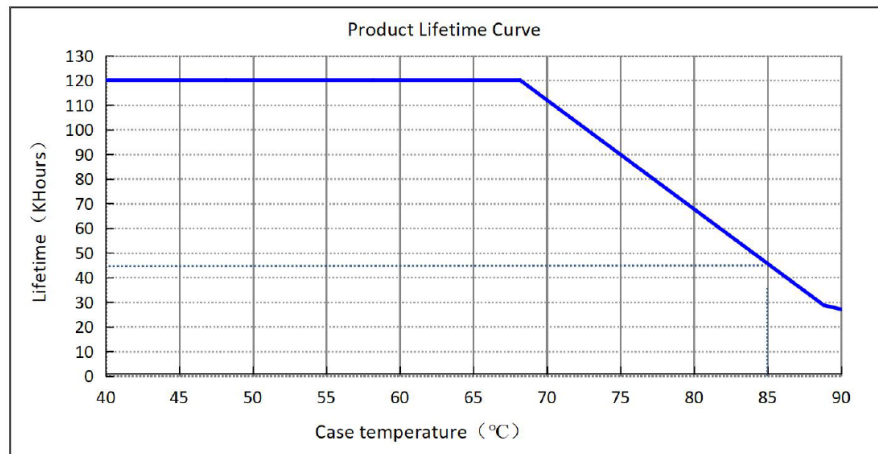


■ **Efficiency Curve**

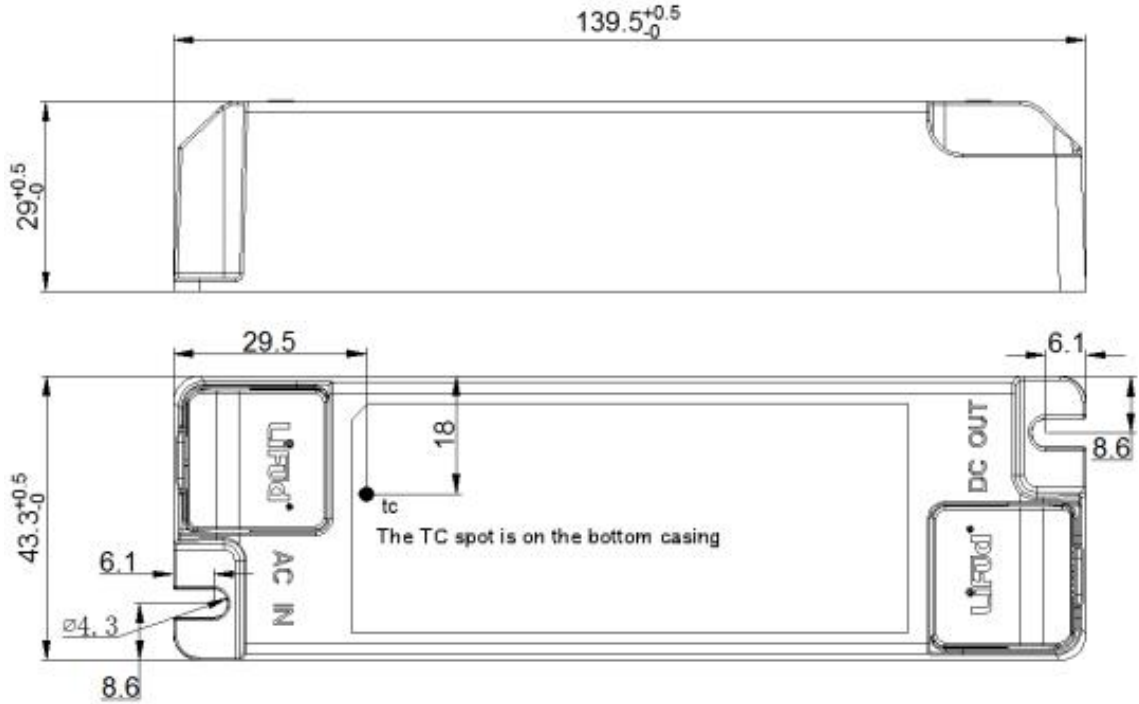


■ **Lifetime Curve**

● **Lifetime Calculation Curve**



● Tc Spot



**Definition of the Driver's Terminal**

INPUT

AC-L	Input terminal of AC live wire
AC-N	Input terminal of AC neutral wire

OUTPUT

LED+	Positive electrode output of the driver
LED-	Negative electrode output of the driver

**Label**

AC-N  
AC-L  
0.75-1.5 □

**LIFUD**® LED Driver(LED控制装置)

Model:LF-GIF060YA II xxxxH

Input:220-240V ~ 50/60Hz Max.0.5A

Output Voltage:33-40V = P rated:xx.xW

U out:55V = I rated:xxxxmA(CC)

PF:≥0.9 ta:45°C tc:90°C

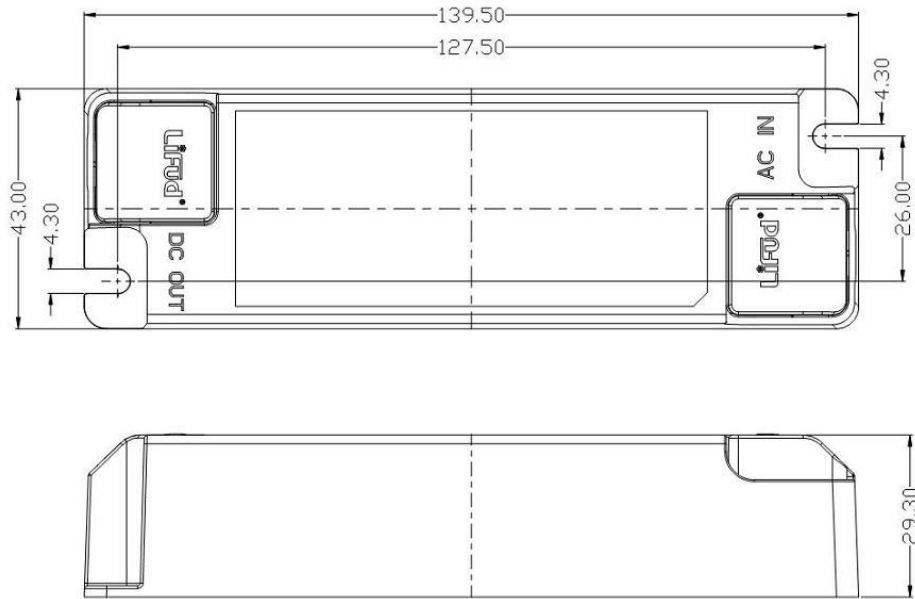
For LED modules only www.lifud.com

Preparation for  
input and output  
7.5mm

LED+  
LED-  
0.5-1.0 □

Made in China  
(中国制造)

**Structures & Dimensions (Unit: mm)**



**Packaging Specifications**

Model	LF-GIF060YA II
Packaging Dimensions	385*285*210 mm (L*W*H)
Quantities	11 pcs/layer; 6 layers/ctn; 66 pcs/ctn
Weights	136 g/pc; 9.21 kg/ctn

**Transportation & Storage**

■ **Transportation**

- Suitable transportation means: vehicles, boats and aircraft.
- During transportation, there should be awnings for rain protection and sun protection. Civilized loading and unloading are required. There should be no severe vibration or impact.

■ **Storage**

- Storage in accordance with the provisions of Class I environment. For products which have been stored for more than six months, they mustn't be used until they pass the re-inspection.

**Attention**

- Please use this product according to its specifications otherwise there may be malfunction.
- Use light fixtures that have not been certified or are not compatible with the LED drivers may cause fire or other hazards.
- Man-made damage, any use beyond the specification and non-original-factory modification are not covered by warranty.

Remark: The final interpretation right of the contents of this data sheet belongs to Lifud Technology Co., Ltd.