



## LED Dimmable Driver

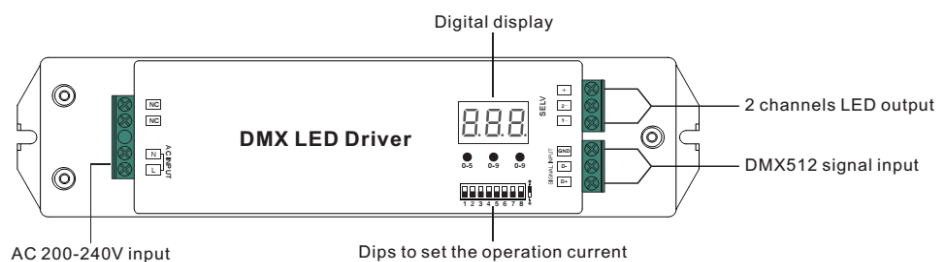
### SRP-2106-50CCT

This is a 50W DC constant current mode output LED driver featuring the multiple levels selectable by dip switch, easily for set DMX address on digital display and built-in DMX 2ch dimming interface with 2 dimmable mode (logarithmic & linear). The operates from 220-240Vac and offers different current levels ranging between 250-1500mA. Thanks to the high efficiency with the fanless design.

### Applications

- LED indoor lighting
- LED office lighting
- LED architectural lighting
- LED panel lighting

### Function Introduction



## Specifications

Items	Specifications	SRP-2106-50CCT
<b>Output</b>	LED Channel	1 or 2
	Output Voltage	8-48Vdc (Note)
	Selectable Current	250/300/350/400/450/500/600/700/800/900/1000/1100/1200/1300/1400/1500mA
	Power Consumption	50W (max)
<b>Input</b>	Input Voltage	220-240Vac
	Frequency	50/60Hz
	Power Factor (Typ.)	>0.93 @230Vac full load
	THDi	<12% @230Vac full load
	Efficiency (Typ.)	86% @230Vac full load
	Inrush Current (Typ.)	COLD START 2A (max) @230VAC
<b>Control</b>	Dimming Interface	DMX512
	Dimming Range	0-100%
	Dimming Mode	Logarithmic and Linear
<b>Protection</b>	Short Circuit	Yes, auto recovery after fault removed
	Over Voltage	Yes, auto recovery after fault removed
	Over Temperature	Yes, auto recovery after fault removed
<b>Environment</b>	Working Temperature	-20°C to 45°C
	Max. Case Temperature	75°C
	Working Humidity	5% to 85%
	Storage Temperature	-40°C to 80°C
	Storage Humidity	10% to 95%
<b>Others</b>	IP Rated	20
	Withstand Voltage	I/P-O/P: 3.75KVac
	Surge Protection	1KV (L-L)
	Life Time	50000hrs
	Certification	CE/TISI

## Note

Selectable Current	250mA	300mA	350mA	400mA	450mA	500mA	600mA	700mA
DC Voltage Range	8-48V	8-48V	8-48V	8-48V	8-48V	8-48V	8-48V	8-48V
Selectable Current	800mA	900mA	1000mA	1100mA	1200mA	1300mA	1400mA	1500mA
DC Voltage Range	8-48V	8-48V	8-48V	8-46V	8-41V	8-38V	8-35V	8-33V

**Dips to set the operation current**

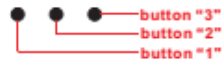
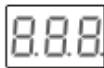


	1	2	3	4	5	6	7	8
250mA	○	○	○	○	○	○	○	○
300mA	○	●	○	○	○	○	○	○
350mA	○	●	○	○	○	○	○	○
400mA	○	○	○	○	○	○	○	○
450mA	○	○	○	○	○	○	○	○
500mA	○	○	○	○	○	○	○	○
600mA	○	○	○	○	○	○	○	○
700mA	○	○	○	○	○	○	○	○

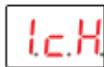
	1	2	3	4	5	6	7	8
800mA	○	○	○	○	○	○	○	○
900mA	○	○	○	○	○	○	○	○
1000mA	○	○	○	○	○	○	○	○
1100mA	○	○	○	○	○	○	○	○
1200mA	○	○	○	○	○	○	○	○
1300mA	○	○	○	○	○	○	○	○
1400mA	○	○	○	○	○	○	○	○
1500mA	○	○	○	○	○	○	○	○

**Set DMX Address Manually Via Buttons**



- 1.1 Press and hold down button "1" until numeric digital display flashes, then release the button.
- 1.2 Click any of the 3 buttons once to select a digit, click again to change the digit until the desired DMX address appears. Click button "1" to set "hundreds" position, button "2" to set "tens" position and button "3" to set "units" position.
- 1.3 Then press and hold down any of the 3 buttons until the numeric digital display stops flashing to confirm the setting.

**Set Output Channel Quantity**



- 1.1. Press and hold down both button "2" and button "3" until the digital display flashes with "cH", release the buttons.
- 1.2. Click button "1" to choose 1 or 2, which means total 1 channel, 2 channels output. Then press and hold down any of the 3 buttons until digital display stops flashing to confirm the setting. Factory default setting is 2 channels output.

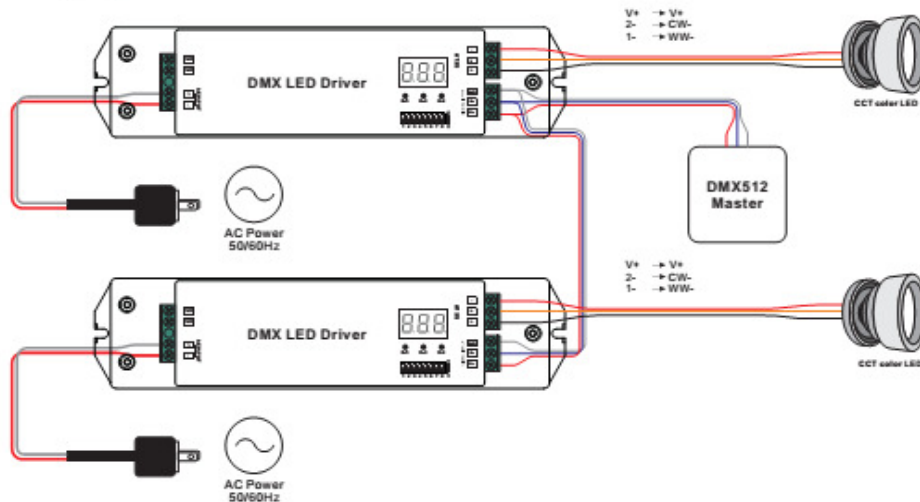
**NOTE:**  
For example, when we set address to 001  
When select 1cH, all two channels will be the same address 001.  
When select 2cH, channel one will be address 001, channel two will be 002.

**Set Output PWM Frequency**



- 1.1 Press and hold down both button "1" and button "3" until digital display flashes with "P\_c", release the buttons.
- 1.2 "P" means PWM frequency, 2 PWM frequencies are available, click button "1" to choose "1" or "2", "1" stands for 1500Hz and "2" stands for 200Hz.
- 1.3 "c" means dimming options, 2 options are available, click button "3" to choose "1" or "2", "1" stands for logarithmic dimming and "2" stands for linear dimming.
- 1.4 Press and hold down any of the 3 buttons until digital display stops flashing to confirm setting. Factory default setting is 1-2 which means 1500Hz PWM frequency with linear dimming.

**Wiring Diagram**



**Product Dimension**

