

1. Product Description



Isolated LED Driver for Class II LED Luminaire

Category: AC220-240V, plastic case

Property: simple structure, cost effective

Application: indoor office lighting, decorative lighting, commercial lighting, and residential lighting

Warranty: 5 years (Please refer to the warranty condition.)

Certificate: TUV, CB, CE, RCM



2. Technical Data (1)

	Full Model Number	LF-GIR030YM0500H	LF-GIR030YM0550H	LF-GIR030YM0600H	LF-GIR030YM0650H
Output	Output Voltage	25-42Vdc			
	Output Current	500mA	550mA	600mA	650mA
	Ripple Voltage	< 4.0V			
	Current Tolerance	±5%			
	Time to Light	230Vac < 0.5S			
	Temperature Drift	±10%			
	Line Regulation	±5%			
Input	Line Regulation	±5%			
	Rated Input Voltage	220-240 Vac (Max input voltage: 180-264Vac)			
	Frequency	47Hz-63Hz			
	Input Current	0.25A Max			
	Power Factor	≥ 0.95 @ 230Vac			
	THD	≤ 20%			
	Efficiency	≥ 87% @ 230Vac	≥ 87% @ 230Vac	≥ 88% @ 230Vac	≥ 88% @ 230Vac
	In-Rush Current (Peak / Duration)	I < 60A/350uS@230Vac			
Protective Features	Typ. Power Input on Stand-By	Pin < 1W			
	No-Load	Max. output voltage (no-load voltage) 55V			
Environment Condition	Short-Circuit	Hiccup mode (auto-recovery)			
	Working Temperature	-30°C ~ +50°C			
	Working Humidity	20-90% RH (no condensation)			
	Storage Temperature/Humidity	-40°C ~ +80°C (6 months under the class I environment); 10-90% RH (no condensation)			
Safety and Norms	Atmospheric Pressure	86-106KPa			
	Certificate	TUV, CB, CE, RCM			
	Hi-pot Test	I/P-O/P: 3.75KVac, < 5mA, 60S			
	Insulation	I/P-O/P: 500VDC, >100MΩ			
	Surge Level	Comply with IEC61000-4-5 (L/N:1KV)			
	EMI	Comply with EN55015, EN61000-3-2			
Others	EMS	Comply with EN61000-4-2,3,4,5,6,8,11; EN61547			
	Packing (Weight)	Net weight: 90g±5%/pc; 98pcs/ctn; 9KG±5%/ctn; Carton size: 38 x 28 x 30 cm (L*W*H)			
	IP Level	IP20			
	Warranty Condition	5 years (Max. case temperature must not exceed 85°C)			

Model	LF-GIR030YM	Series	AC220-240V & Cost Effective
--------------	-------------	---------------	-----------------------------

Testing Equipment	AC power source: CHROMA6530, digital power meter: CHROMA66202, Oscilloscope: Tektronix DPO3014, DC electronic load: M9712B, LED board, constant temperature and humidity chamber, lightning surge generator: Everfine EMS61000-5B, rapid group pulse generator: Everfine EMS61000-4A, spectroanalyzer: KH3935, hi-pot tester: TH9201B, flicker-free tester (flicker-free coefficient tester) 60N-01, etc.
Test Conditions	The parameters above including the power factor, THD, efficiency are all tested under the ambient temperature 25°C and humidity 50%, AC input 230V and 90% DC load.
Additional Remarks	<p>1. In the power supply circuit, it is recommended that the customer should install an over-under-voltage protection and surge protection device to ensure the safety of using electricity.</p> <p>2. The PC cover, shell, end caps used together with the LED driver inside the LED lamp must meet the UL94V-0 fire rating level or above.</p> <p>3. As an accessory, the LED driver is not the only factor determining the EMC performance of the LED light fixture. The structure and the wire routing of the light fixture are also relevant. Thus we strongly recommend the manufacturer of the finished LED light fixture re-confirm the EMC of the LED light fixture.</p>

Technical Data (2)

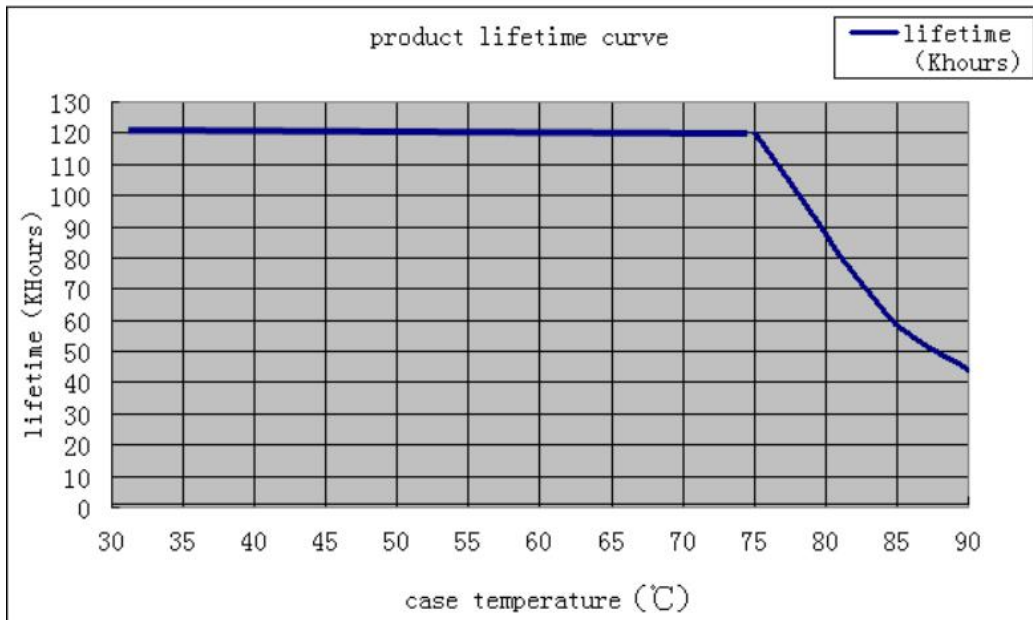
	Full Model Number	LF-GIR030YM0700H	LF-GIR030YM0750H
Output	Output Voltage	25-42Vdc	
	Output Current	700mA	750mA
	Ripple Voltage	< 4.0V	
	Current Tolerance	±5%	
	Time to Light	230Vac < 0.5S	
	Temperature Drift	±10%	
	Line Regulation	±5%	
Input	Line Regulation	±5%	
	Rated Input Voltage	220-240 Vac (Max input voltage: 180-264Vac)	
	Frequency	47Hz-63Hz	
	Input Current	0.30A Max	
	Power Factor	≥ 0.95 @ 230Vac	
	THD	≤ 20%	
	Efficiency	≥ 88% @ 230Vac	
	In-Rush Current (Peak / Duration)	I < 60A/350uS@230Vac	
Typ. Power Input on Stand-By	Pin < 1W		
Protective Features	No-Load	Max. output voltage (no-load voltage) 55V	
	Short-Circuit	Hiccup mode (auto-recovery)	
Environment Condition	Working Temperature	-30°C ~ +50°C	
	Working Humidity	20-90% RH (no condensation)	
	Storage Temperature/Humidi	-40°C ~ +80°C (6 months under the class I environment); 10-90% RH (no condensation)	
	Atmospheric Pressure	86-106KPa	
Safety and Norms	Certificate	TUV, CB, CE, RCM	
	Hi-pot Test	I/P-O/P: 3.75KVac, < 5mA, 60S	
	Insulation	I/P-O/P: 500VDC, >100MΩ	
	Surge Level	Comply with IEC61000-4-5 (L/N:1KV)	
	EMI	Comply with EN55015, EN61000-3-2	
	EMS	Comply with EN61000-4-2,3,4,5,6,8,11; EN61547	
Others	Packing (Weight)	Net weight: 90g±5%/pc; 98pcs/ctn; 9KG±5%/ctn; Carton size: 38 x 28 x 30 cm (L*W*H)	
	IP Level	IP20	
	Warranty Condition	5 years (Max. case temperature must not exceed 85°C)	

Model	LF-GIR030YM	Series	AC220-240V & Cost Effective
--------------	-------------	---------------	-----------------------------

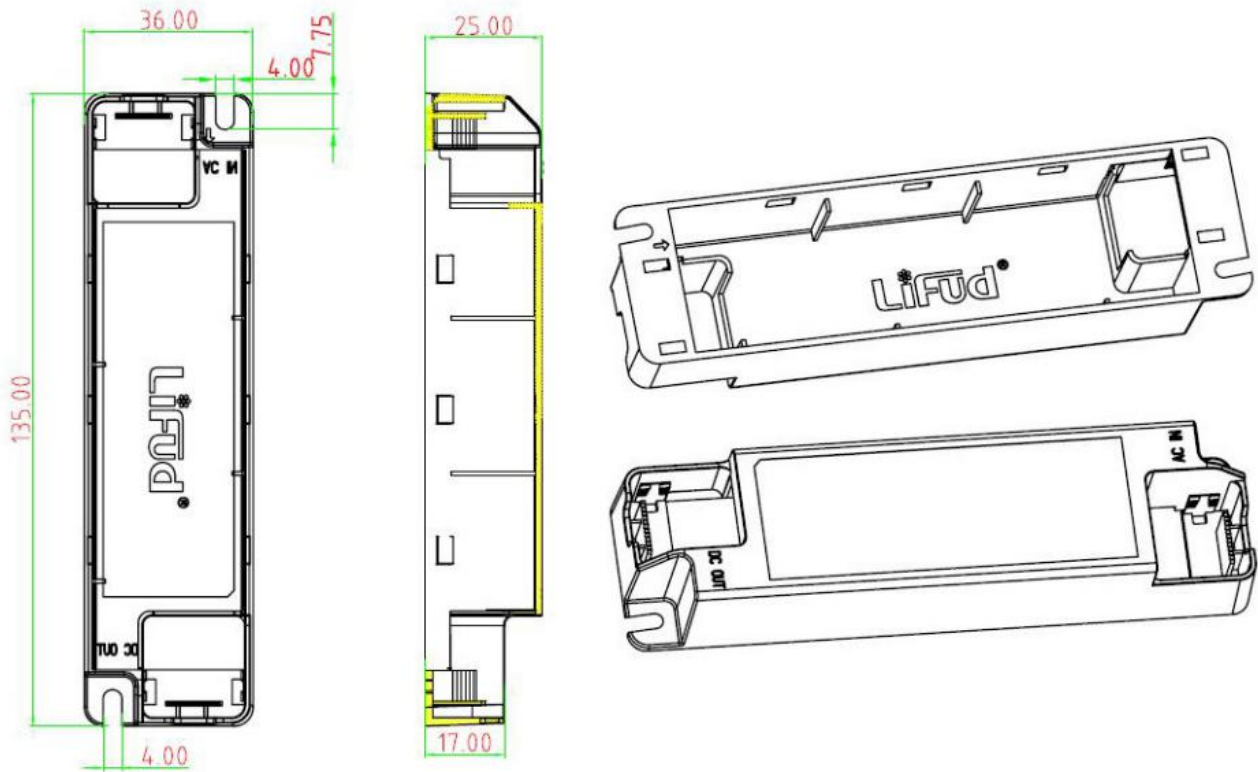
Testing Equipment	AC power source: CHROMA6530, digital power meter: CHROMA66202, Oscilloscope: Tektronix DPO3014, DC electronic load: M9712B, LED board, constant temperature and humidity chamber, lightning surge generator: Everfine EMS61000-5B, rapid group pulse generator: Everfine EMS61000-4A, spectroanalyzer: KH3935, hi-pot tester: TH9201B, flicker-free tester (flicker-free coefficient tester) 60N-01, etc.
Test Conditions	The parameters above including the power factor, THD, efficiency are all tested under the ambient temperature 25°C and humidity 50%, AC input 230V and 90% DC load.
Additional Remarks	<ol style="list-style-type: none"> 1. In the power supply circuit, it is recommended that the customer should install an over-under-voltage protection and surge protection device to ensure the safety of using electricity. 2. The PC cover, shell, end caps used together with the LED driver inside the LED lamp must meet the UL94V-0 fire rating level or above. 3. As an accessory, the LED driver is not the only factor determining the EMC performance of the LED light fixture. The structure and the wire routing of the light fixture are also relevant. Thus we strongly recommend the manufacturer of the finished LED light fixture re-confirm the EMC of the LED light fixture.

3. Product Referenced Lifetime Curve

The curve below illustrates the driver's lifetime data when the LED driver's Max. case temperature reaches 40°C, 50°C, 60°C, 70°C, 80°C and 90°C.



4. Dimensional Drawing (unit: mm, tolerance: ±0.5mm)



5. Wiring Diagram:



Model	LF-GIR030YM	Series	AC220-240V & Cost Effective
--------------	-------------	---------------	-----------------------------