



TUV T5

TUV 36T5 SP NO/32

TUV T5 lamps are single- or double-ended UVC (germicidal) lamps used in professional water and air disinfection units. The small 16 mm diameter of the lamp allows for a small system design and design flexibility. TUV T5 lamps offer constant UV output over their complete lifetime, for maximum security of disinfection and high system efficacy.

Product data

General Information	
Cap-Base	SINGLEPIN [Single Pin]
Main Application	Disinfection
Useful Life (Nom)	9000 h
System Description	High Efficiency

Light Technical	
Color Code	- [Not Specified]
Color Designation	- [Not Specified]
Depreciation at Useful Lifetime	15 %

Operating and Electrical	
Power (Rated) (Nom)	40 W
Lamp Current (Nom)	0.425 A
Voltage (Nom)	94 V

Mechanical and Housing	
Cap-Base Information	Single Pin

UV	
UV-C Radiation	15 W

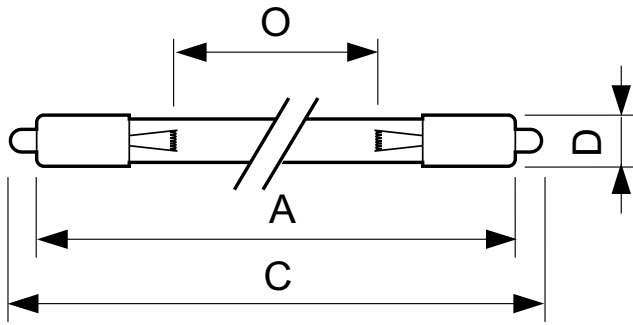
Product Data	
Full product code	871150064036999
Order product name	TUV 36T5 SP NO/32
EAN/UPC - Product	8711500640369
Order code	927970004099
Numerator - Quantity Per Pack	1
Numerator - Packs per outer box	32
Material Nr. (12NC)	927970004099
Net Weight (Piece)	87.000 g

TUV T5

Warnings and Safety

- A lamp breaking is extremely unlikely to have any impact on your health. If a lamp breaks, ventilate the room for 30 minutes and remove the parts, preferably with gloves. Put them in a sealed plastic bag and take it to your local waste facilities for recycling. Do not use a vacuum cleaner.
- **DANGER:** Risk Group 3 Ultra Violet product. These lamps emit high-power UV radiation that can cause severe injury to skin and eyes. Avoid eye and skin exposure to unshielded product. Use only in an enclosed environment which shields users from the radiation.

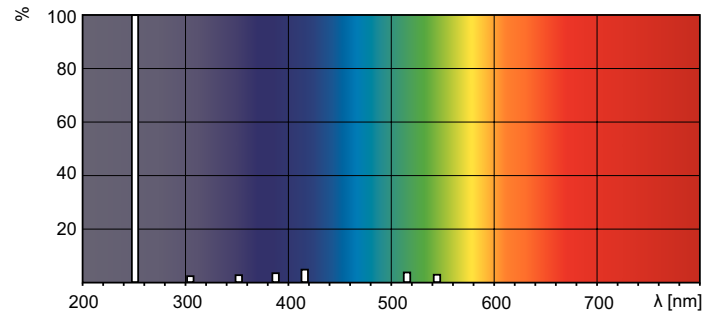
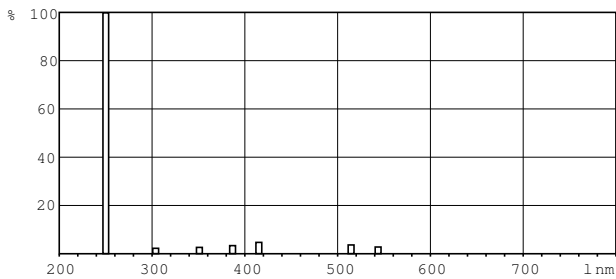
Dimensional drawing



Product	D (max)	O	C (max)	A (max)
TUV 36T5 SP NO/32	18.6 mm	762 mm	863.9 mm	845.4 mm

TUV 36T5 HE SP

Photometric data



TUV

TUV

