

HF-Regulator II for PL-T/C

HF-R 218 PL-T/C EII 220-240V 50/60Hz

Compact, high-frequency electronic dimming ballast, using the analog protocol (1-10 V) for PL-T, PL-C and PL-R lamps; The ballast is primarily designed for Indoor application. For outdoor application, the luminaire should be minimum Classland need to be sufficiently protected against water & dust. The installation should also be guard against any lightening surge or any other necessary electrical protection as deemed in such typical installation & application.

Product data

General Information		Inrush Current Width	
Application Code	EII	Inrush Current Width	0.35 ms
Type Version	mk3	Constant Wattage Deviation	-2%/+2%
Lamp Type	PL-T/C	Ballast Factor (Nom)	1.0
Number of Lamps	2 piece/unit	Inrush Current Peak (Max)	28 A
Number of Products on MCB (16A Type B) (Nom)	28	Wiring	
Automatic Restart	Yes	Connector Type Input Terminals	Insert
Operating and Electrical		Cable Capacity Output Wires Mutual (Nom)	30 pF
Input Voltage	220 to 240 V	Connector Type Output Terminals	Insert
Input Frequency	50 to 60 Hz	Connector Type Control Input Terminals	Insert
Operating Frequency (Max)	100 kHz	Wire Striplength	7.5-8.5 mm
Operating Frequency (Min)	40 kHz	Dual Fixture Master/Slave	Not applicable [Master/Slave oper. not applicable]
Ignition Method	Programmed Start	Control Input Terminal Cross Section	0.50-1.50 mm ²
Crestfactor (Max)	1.7	Input Terminal Cross Section	0.50-1.50 mm ²
Power Factor 100% Load (Nom)	0.95	Output Terminal Cross Section	0.50-1.50 mm ²
Mains Voltage Performance (AC)	-8%+6%	Cable Capacity Output Wires to Earth (Nom)	75 pF
Mains Voltage Safety (AC)	-10%+10%		
Earth Leakage Current (Max)	0.5 mA		

HF-Regulator II for PL-T/C

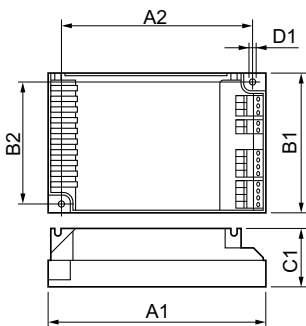
System characteristics	
Rated Ballast-Lamp Power	18 W
Temperature	
T-Ambient (Max)	50 °C
T-Ambient (Min)	-20 °C
T-Storage (Max)	80 °C
T-Storage (Min)	-25 °C
T-Case Lifetime (Nom)	65 °C
T-Case Maximum (Max)	75 °C
Stable Lamp Operation Temperature	Not Specified
Controls and Dimming	
Control Interface	1-10V
Regulating Level Power	1%-100%
Control Input Protection	Yes (Basic insulation)
Mechanical and Housing	
Housing	S 123x79x33
Emergency Operation	
Battery Voltage Lamp Ignition	198-254 V
Battery Voltage Lamp Operation	176-254
Approval and Application	
Energy Efficiency Index	A1 BAT
IP Classification	IP 20 [Ingress Protection 20]
EMI 9 kHz ... 30 MHz	EN55015

EMI 30 MHz ... 1000 MHz	EN55022 level B
Safety Standard	IEC 61347-2-3
Performance Standard	IEC 60929
Quality Standard	ISO 9000:2000
Environmental Standard	ISO 14001
Harmonic Current Emission Standard	IEC 61000-3-2
EMC Immunity Standard	IEC 61547
Vibration Standard	IEC68-2-6 F c
Bumps Standard	IEC 68-2-29 Eb
Humidity Standard	EN 61347-2-3 clause 11
Approval Marks	CE marking ENEC certificate VDE-EMV certificate
Temperature Marking	Not specified
Emergency Standard	IEC 60598-2-22
Hum And Noise Level	Inaudible

Product Data

Full product code	871829117698500
Order product name	HF-R 218 PL-T/C EII 220-240V 50/60Hz
EAN/UPC - Product	8718291176985
Order code	913700680166
Numerator - Quantity Per Pack	1
Numerator - Packs per outer box	12
Material Nr. (12NC)	913700680166
Net Weight (Piece)	0.230 kg

Dimensional drawing



HF-R 218 PL-T/C EII 220-240V 50/60Hz

Product	D1	C1	A1	A2	B1	B2
HF-R 218 PL-T/C EII 220-240V 50/60Hz	4.5 mm	33.0 mm	123.0 mm	111.0 mm	79.0 mm	67.0 mm

HF-Regulator II for PL-T/C

