

PHILIPS

Lighting



MASTERColour CDM-Tm Elite Mini

MASTERColour CDM-Tm Elite Mini 20W/830 GU6.5 1CT

Mini, single-ended, very high-efficiency, long-life Ceramic Metal Halide discharge lamp producing crisp white sparkling light with high colour rendering

Product data

General Information	
Cap base	GU6.5 [GU6.5]
Burning Position	UNIVERSAL [Any/Universal]
Life to 5% failures (nom.)	12000 h
Life to 10% failures (nom.)	14000 h
Life to 20% failures (nom.)	16000 h
Life to 50% failures (nom.)	20000 h
ANSI code HID	C156/E

Light Technical	
Colour Code	830 [CCT of 3000K]
Lamp Luminous Flux (Min)	1620 lm
Lamp Luminous Flux (Nom)	1800 lm
Colour Designation	Warm white (WW)
Lumen maintenance 1,000 hours (nom.)	91 %
Lumen maintenance 12,000 hours (nom.)	77 %
Lumen maintenance 10,000 hours (nom.)	78 %
Lumen maintenance 2,000 hours (nom.)	87 %
Lumen maintenance 4,000 hours (nom.)	84 %
Lumen maintenance 5,000 hours (nom.)	83 %
Chromaticity coordinate X (nom.)	0.436

Chromaticity coordinate Y (nom.)	0.396
Colour Temperature, horizontal (Nom)	3000 K
Lamp Luminous Efficacy EM (Nom)	90 lm/W
Colour Rendering Index,horiz (Min)	81
Colour Rendering Index,horiz (Nom)	84

Operating and Electrical	
Power (Rated) (Nom)	20.0 W
Lamp current run-up (max.)	0.5 A
Re-ignition time (min.) (max.)	15 min
Ignition time (max.)	30 s
Voltage (Max)	100 V
Voltage (Min)	90 V
Voltage (Nom)	95 V

Controls and Dimming	
Dimmable	no
Run-up time 90% (max.)	3 min

MASTERColour CDM-Tm Elite Mini

Mechanical and Housing

Bulb finish	Clear (CL)
-------------	------------

Approval and Application

Energy efficiency label (EEL)	A+
Mercury (Hg) content (nom.)	3.5 mg
Energy Consumption kWh/1000 h	22 kWh

UV

PET (NIOSH) (min.)	8 h/500lx
Damage factor D/fc (max.)	0.5

Luminaire Design Requirements

Bulb temperature (max.)	380 °C
Cap base temperature (max.)	250 °C

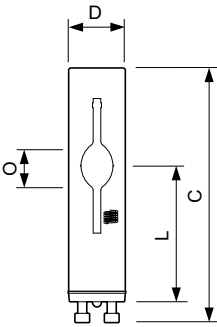
Product Data

Full product code	872790089083900
Order product name	MASTERColour CDM-Tm Elite Mini 20W/830 GU6.5 1CT
EAN/UPC – product	8727900890839
Order code	928183505130
Numerator – quantity per pack	1
Numerator – packs per outer box	12
Material no. (12NC)	928183505130
Net weight (piece)	0.007 kg
ILCOS Code	MT/UB-20/830-H-GU6.5-13.3/52

Warnings and Safety

- Use only in totally enclosed luminaire, even during testing (IEC61167, IEC 62035, IEC60598)
- The luminaire must be able to contain hot lamp parts if the lamp ruptures
- Use only with electronic control gear
- For 50W use with Philips electronic gear only
- Control gear must include end-of-life protection (IEC61167, IEC 62035)

Dimensional drawing

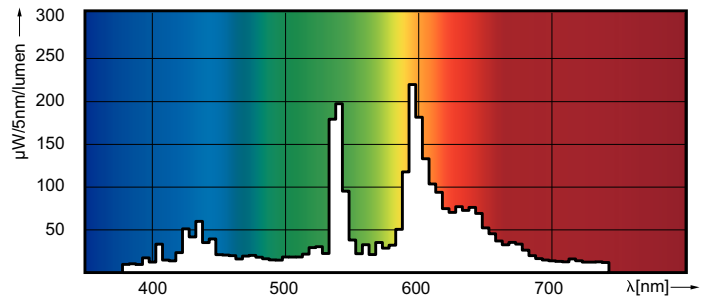
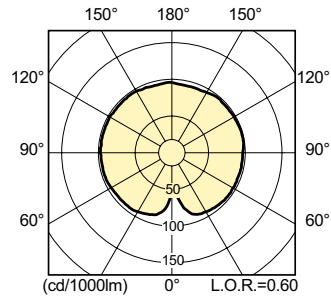
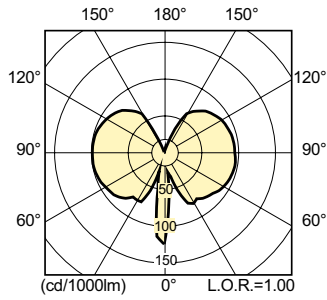


CDM-Tm 20W/830 GU6.5

Product	D (max)	D	O	L (min)	L (max)	L	C (max)
MASTERColour CDM-Tm Elite Mini 20W/830 GU6.5 1CT	13.3 mm	0.5 in	3.4 mm	28 mm	32 mm	30 mm	56.7 mm

MASTERColour CDM-Tm Elite Mini

Photometric data



Lifetime

