

PHILIPS

Lighting



MASTERColour CDM-Rm Elite Mini

MASTERColour CDM-Rm Elite Mini 35W/930 GX10 MR16 25D

Mini, very high-efficiency Ceramic Metal Halide discharge reflector lamp producing crisp white sparkling light with high color rendering

Product data

General Information	
Cap-Base	GX10 [GX10]
Operating Position	UNIVERSAL [Any or Universal (U)]
Life to 5% Failures (Nom)	9000 h
Life to 10% Failures (Nom)	10000 h
Life to 20% Failures (Nom)	12000 h
Life to 50% Failures (Nom)	15000 h
ANSI Code HID	C130/O
Switching Cycle	1350X

Light Technical	
Color Code	930 [CCT of 3000K]
Beam Angle (Nom)	25 °
Beam Angle Technical (Nom)	24 °
Beam Angle Technical (Max)	29 °
Beam Angle Technical (Min)	19 °
Luminous Intensity (Min)	5700 cd
Luminous Intensity (Nom)	7600 cd
Beam Description	-
Lumen Maintenance 12000 h (Nom)	85 %
Lumen Maintenance 2000 h (Nom)	95 %

Lumen Maintenance 4000 h (Nom)	93 %
Chromaticity Coordinate X (Nom)	0.439
Chromaticity Coordinate Y (Nom)	0.403
Correlated Color Temperature (Nom)	3000 K
Luminous Efficacy (rated) (Nom)	61 lm/W
Color Rendering Index (Min)	88
Color Rendering Index (Nom)	91
LLMF At End Of Nominal Lifetime (Nom)	80 %
Luminous Flux in 90° Cone (Rated)	2150 lm

Operating and Electrical	
Power (Rated) (Nom)	39 W
Re-Ignition Time (Min) (Max)	15 min
Warm Up Time to 60% Light (Nom)	120 s
Ignition Time (Max)	30 s
Voltage (Max)	95 V
Voltage (Min)	79 V
Voltage (Nom)	87 V

Controls and Dimming	
Dimmable	No

MASTERColour CDM-Rm Elite Mini

Run-Up Time 90% (Max)	3 min
Mechanical and Housing	
Bulb Finish	-
Approval and Application	
Energy Efficiency Label (EEL)	A
Mercury (Hg) Content (Nom)	4.7 mg
Energy Consumption kWh/1000 h	43 kWh
UV	
Pet (Niosh) (Min)	8 h/500lx
Damage Factor D/fc (Max)	0.4
Luminaire Design Requirements	
Reflector Neck Temperature (Max)	315 °C

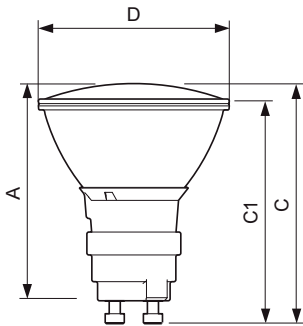
Product Data

Full product code	871829116300800
Order product name	MASTERColour CDM-Rm Elite Mini 35W/930 GX10 MR16 25D
EAN/UPC - Product	8718291163008
Order code	928194705330
Numerator - Quantity Per Pack	1
Numerator - Packs per outer box	12
Material Nr. (12NC)	928194705330
Net Weight (Piece)	0.048 kg
ILCOS Code	MRS/UB-35/930-H-GX10-51/54.5/25

Warnings and Safety

- Use only with electronic control gear
- Control gear must include end-of-life protection (IEC61167, IEC 62035).
- A lamp breaking is extremely unlikely to have any impact on your health. If a lamp breaks, ventilate the room for 30 minutes and remove the parts, preferably with gloves. Put them in a sealed plastic bag and take it to your local waste facilities for recycling. Do not use a vacuum cleaner.

Dimensional drawing

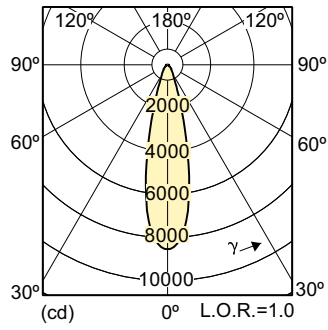


CDM-Rm 35W/930 GX10 MR16 25D

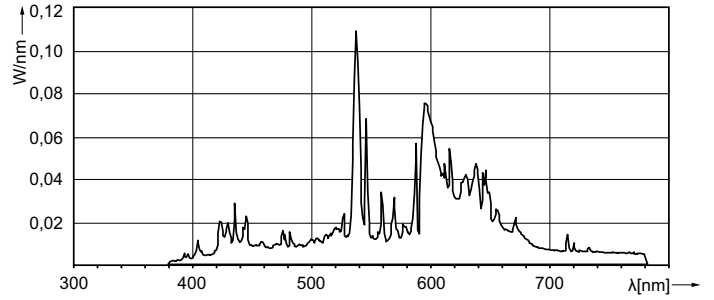
Product	D (max)	D	C (max)	C	C1 (max)	A (max)
MASTERColour CDM-Rm	51 mm	50 mm	65.4 mm	62.75	60.9 mm	59 mm
Elite Mini 35W/930 GX10				mm		
MR16 25D						

MASTERColour CDM-Rm Elite Mini

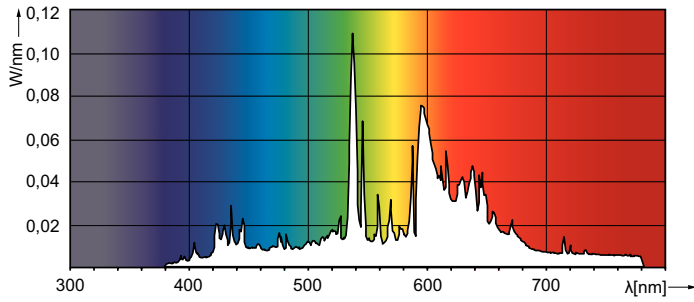
Photometric data



CDM-Rm 35W /930 25D

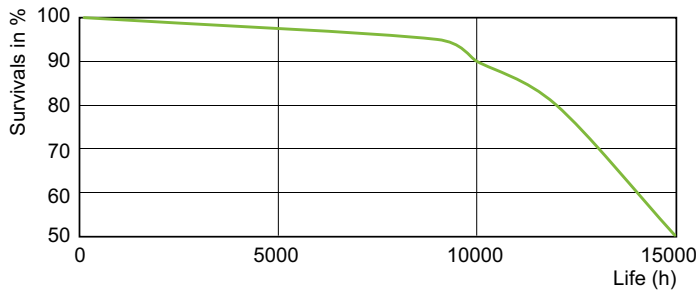


MASTERColour CDM-R Mini 35W /930

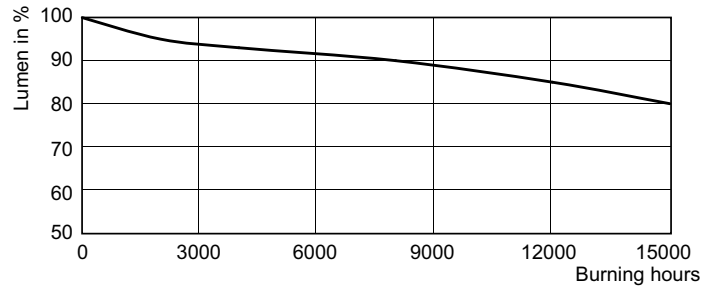


MASTERColour CDM-R Mini 35W /930

Lifetime



CDM-Rm 35W Life Expectancy /930



CDM-Rm 35W Lumen Maintenance /930

MASTERCcolour CDM-Rm Elite Mini

