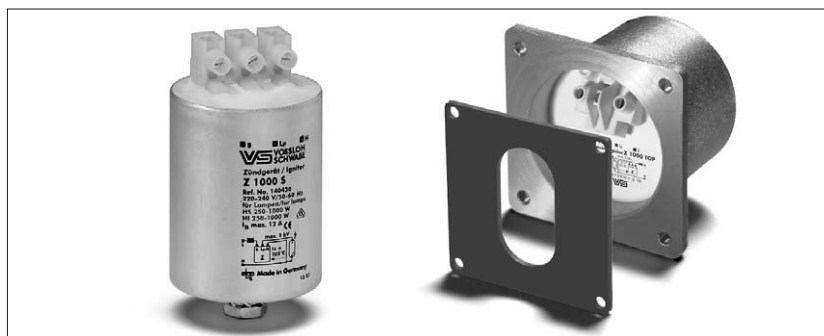


Electronic Superimposed Ignitors for HS and HI Lamps 250 to 1000 W



Standard version or with automatic switch-off
For high pressure sodium lamps (HS)
and metal halide lamps (HI)

Phasing of the ignition voltage:
60–90 °el and 240–270 °el

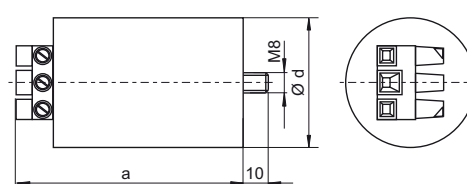
Max. permitted casing temperature: 105 °C

Screw terminals: 0.75–2.5 mm²
(Z 1000 S: 0.75–4 mm²)

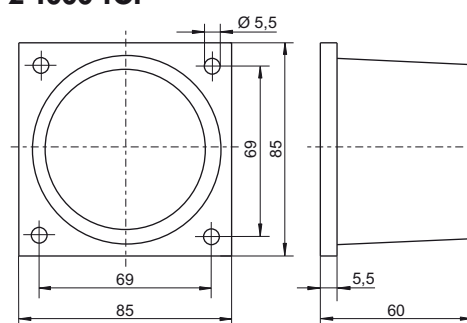
Fastening: male nipple with pre-assembled
washer and nut

For luminaires of protection class I and II

Al casing



Z 1000 TOP



Ignitor									Casing				
Type	Ref. No.	Voltage AC 50–60 Hz	Max. lamp current	Internal loss	Inherent heating	Ignition voltage	Load capacity	Switch-off time	d Ø	a	b	c	Weight
		V	A	W	K	kV	pF	sec./Hz	mm	mm	mm	mm	g
Aluminium casing (Al)													
Z 1000 S	140430	220–240	12	< 6	< 35	4–5	20–100	—	50	78	—	—	340
Z 1000 TOP ¹	140607	220–240	12	< 6	< 35	4–5	20–100	—	—	85	85	60	520
Z 1000 S D20 ²	141584	220–240	12	< 6	< 35	4–5	20–100	1216/50–60	50	84	—	—	340

¹ for flange-mounting with gasket for degree of protection IP55

² with IPP technology