



MASTER LEDtube EM/Mains T8

MAS LEDtube 900mm 15W865 T8 RS

The Philips MASTER LEDtube integrates a LED light source into a traditional fluorescent form factor. Its unique design creates a perfectly uniform visual appearance which cannot be distinguished from traditional fluorescent. For those that are looking for value for money within limited budget and re-lamping efforts for better light effect and lifetime.

Product data

General Information	
Cap-Base	G13 [Medium Bi-Pin Fluorescent]
Main Application	Industrial
Nominal Lifetime (Nom)	50000 h
Switching Cycle	200000X
B50L70	50000 h
Light Technical	
Color Code	865 [CCT of 6500K]
Beam Angle (Nom)	160 °
Luminous Flux (Nom)	1575 lm
Luminous Flux (Rated) (Nom)	1575 lm
Color Designation	Cool Daylight
Rated Beam Angle	160 °
Correlated Color Temperature (Nom)	6500 K
Color Consistency	<6
Color Rendering Index (Nom)	80
LLMF At End Of Nominal Lifetime (Nom)	70 %

Operating and Electrical	
Input Frequency	50 to 60 Hz
Power (Rated) (Nom)	15 W
Lamp Current (Max)	72 mA
Lamp Current (Min)	64 mA
Wattage Equivalent	30 W
Starting Time (Nom)	0.5 s
Warm Up Time to 60% Light (Nom)	0.5 s
Power Factor (Nom)	0.9
Voltage (Nom)	200-240 V
Temperature	
T-Ambient (Max)	35 °C
T-Ambient (Min)	-20 °C
T-Storage (Max)	65 °C
T-Storage (Min)	-40 °C
T-Case Maximum (Nom)	50 °C

MASTER LEDtube EM/Mains T8

Controls and Dimming

Dimmable	No
----------	----

Mechanical and Housing

Product Length	900 mm
----------------	--------

Approval and Application

Energy Saving Product	Yes
Suitable For Accent Lighting	No
Energy Efficiency Label (EEL)	A+
Approval Marks	CE marking RoHS compliance KEMA Keur certificate
Energy Consumption kWh/1000 h	15 kWh

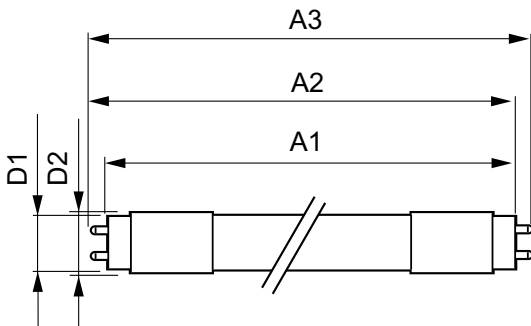
Product Data

Full product code	871829123882900
Order product name	MAS LEDtube 900mm 15W865 T8 RS
EAN/UPC - Product	8718291238829
Order code	929000295501
Numerator - Quantity Per Pack	1
Numerator - Packs per outer box	10
Material Nr. (12NC)	929000295501
Net Weight (Piece)	0.174 kg

Warnings and Safety

- NOTES: The overall energy efficiency and light distribution of any installation that uses these lamps are determined by the design of the installation.

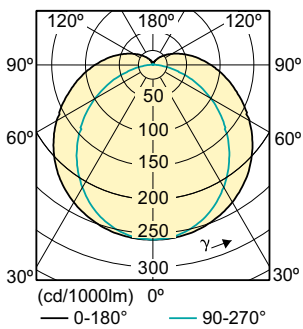
Dimensional drawing



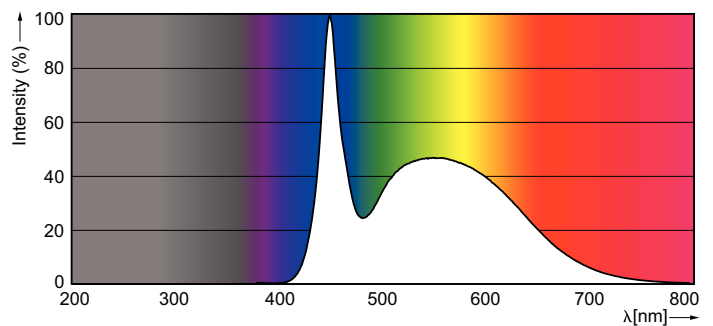
TLED 900mm 15W/865 T8 C

Product	D1	D2	A1	A2	A3
MASTER LEDtube GA110 900mm 15W 865 C	25.68 mm	28 mm	893.3 mm	900.4 mm	907.5 mm

Photometric data



STD 600 mm 10W, 1200 mm 20 W T8 I, 900 mm 15 W T8 C



TLED STD 900 mm 15 W /865 T8 C

MASTER LEDtube EM/Mains T8

