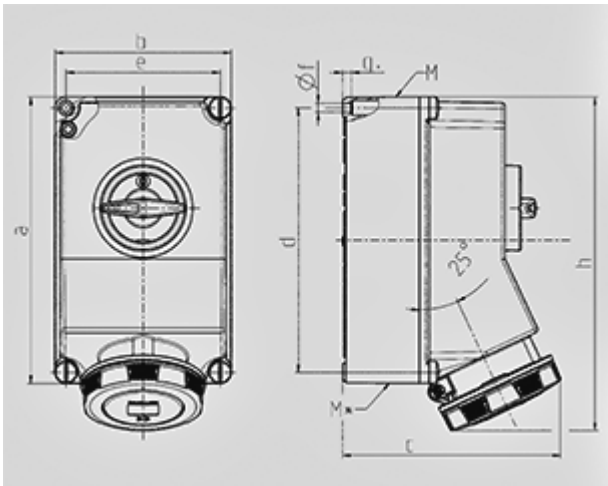


## Wall mounted socket - Part no. 5911A



- screw terminals
- SoftCONTACT
- switched
- mechanical DUO-interlock
- sockets can be padlocked

Protection type	IP 67
Ampere	63 A
Poles	3 p
Voltage	230 V
Hertz	50-60 Hz
Earth position	6 h
Contact	standard
Connection technology	Screw terminals



Drawing	Amp.	63		
		Poles		
1 MB 180		3	4	5
Dim. in mm	a	260	260	260
	b	160	160	160
	c	198	198	198
	d	240	240	240
	e	140	140	140
	f	8,1	8,1	8,1
	g	8	8	8
	h	303	303	303
	M	40	40	40
	M*	2 x 40	2 x 40	2 x 40
Max. cable diam. (mm)		27	27	27
Terminal for cond. cross section (mm <sup>2</sup> ) min.-max.		6 -25	6 -25	6 -25