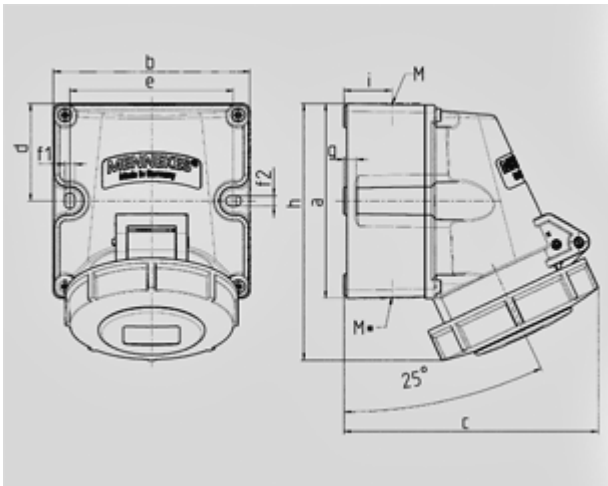


Wall mounted socket - Part no. 9562



- screw terminals
- highly resistant to chemicals
- with high heat resistant contact carrier
- nickel plated contacts
- 2 external fixings
- sockets are designed for adding an auxiliary contact switch
- enclosure can be turned 180°

Protection type	IP 67
Ampere	32 A
Poles	4 p
Voltage	380-440 V
Hertz	50-60 Hz
Earth position	3 h
Contact	nickel plated contacts, highly heat resistant contact carrier
Connection technology	Screw terminals



Drawing	Amp.	16			32		
		Poles			3	4	5
1 MB 622							
Dim. in mm							
a		100	100	100	100	100	100
b		101	101	101	109	109	109
c		117	125	131	157	157	160
d		50	50	50	50	50	50
e		84	84	84	92	92	92
f1		5,3	5,3	5,3	5,3	5,3	5,3
f2		5,3	5,3	5,3	5,3	5,3	5,3
g		6,5	6,5	6,5	6,5	6,5	6,5
h		131	131	132	148	148	148
i		24,7	24,7	24,7	27,5	27,5	27,5
M		25 (optional M20)			32 (optional M25)		
M*		2x25 (blind) to be cut out			2x25 (blind) to be cut out		
Max. cable diam. (mm)		18 (M25) and 15 (M20)			25 (M32) and 18 (M25)		
Terminal for cond. cross section (mm ²) min.-max.		1,5	1,5	1,5	2,5	2,5	2,5
		-4	-4	-4	-6	-6	-6