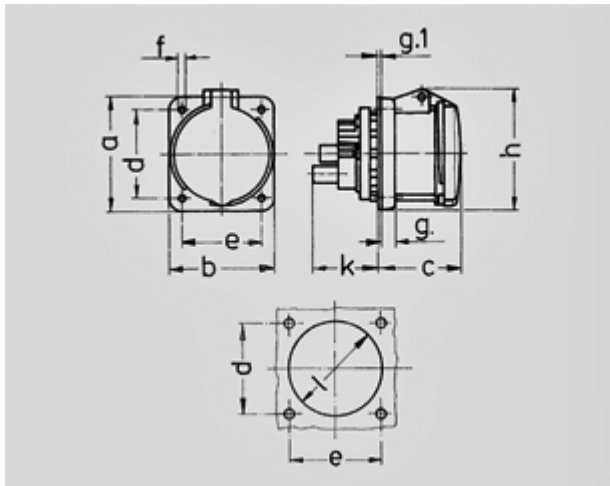


Panel mounted socket - Part no. 1261A



- screw terminals
- SoftCONTACT
- straight
- products with pilot contact on request

Protection type	IP 44
Ampere	63 A
Poles	3 p
Voltage	230 V
Hertz	50-60 Hz
Earth position	6 h
Contact	standard
Connection technology	Screw terminals



Drawing	Amp.	63		
		Poles		
1 MB 211		3	4	5
Dim. in mm	a	107	107	107
	b	100	100	100
	c	80	80	80
	d	85	85	85
	e	77	77	77
	f	6.	6.	6.
	g.	12	12	12
	g.1	2	2	2
	h	113	113	113
	k	55	55	55
	l	88	88	88
Terminal for cond. cross section (mm ²) min.-max.		6 -25	6 -25	6 -25