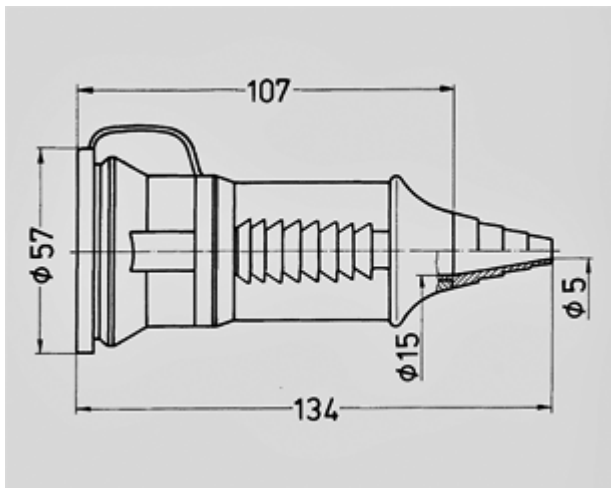


Connector SCHUKO® - Part no. 10843 blue



- screw terminals
- with grommet and lid
- for cables up to 3 x 2.5 mm², up to H07RN-F

Protection type	IP 44
Ampere	16 A
Voltage	230 V
Contact	standard
Connection technology	Screw terminals



Drawing
3 MB 39

Dim. in mm