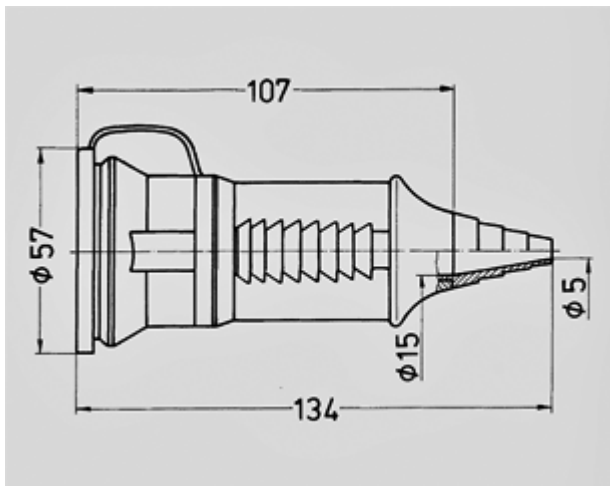


**Connector SCHUKO® - Part no. 10751 grey**



- screw terminals
- with grommet and lid
- for cables up to 3 x 2.5 mm<sup>2</sup>, up to H07RN-F

Protection type	IP 44
Ampere	16 A
Voltage	230 V
Contact	standard
Connection technology	Screw terminals



Drawing  
3 MB 39

Dim. in mm