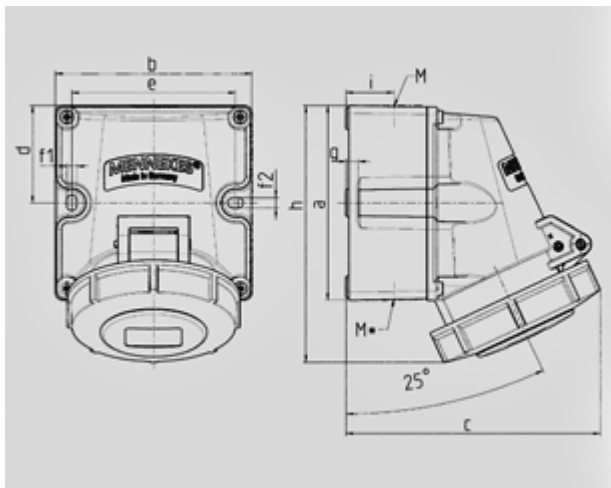


Wall mounted socket - Part no. 9351



- screw terminals
- highly resistant to chemicals
- with 2 external fixing points
- enclosure base can be turned 180°
- sockets are designed for adding an auxiliary contact switch

Protection type	IP 67
Ampere	32 A
Poles	3 p
Voltage	230 V
Hertz	50-60 Hz
Earth position	6 h
Contact	standard
Connection technology	Screw terminals



Drawing	Amp.	16			32		
		Poles			Poles		
1 MB 622							
Dim. in mm							
a		100	100	100	100	100	100
b		101	101	101	109	109	109
c		117	125	131	157	157	160
d		50	50	50	50	50	50
e		84	84	84	92	92	92
f1		5,3	5,3	5,3	5,3	5,3	5,3
f2		5,3	5,3	5,3	5,3	5,3	5,3
g		6,5	6,5	6,5	6,5	6,5	6,5
h		131	131	132	148	148	148
i		24,7	24,7	24,7	27,5	27,5	27,5
M		25 (optional M20)			32 (optional M25)		
M*		2x25 (blind) to be cut out			2x25 (blind) to be cut out		
Max. cable diam. (mm)		18 (M25) and 15 (M20)			25 (M32) and 18 (M25)		
Terminal for cond. cross section (mm ²) min.-max.		1,5	1,5	1,5	2,5	2,5	2,5
		-4	-4	-4	-6	-6	-6