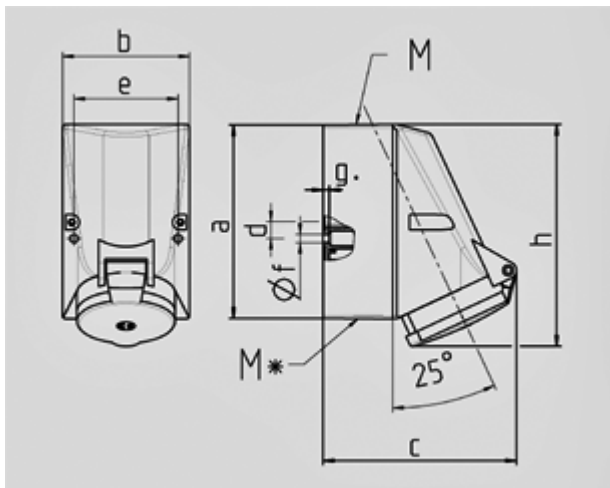


Wall mounted socket - Part no. 1421



- screw terminals
- internal fixing
- one cable entry at top, two blind cable entries (can be cut out) at the bottom
- enclosure base can be turned 180
- sockets are designed for adding an auxiliary contact switch
-

Protection type	IP 44
Ampere	32 A
Poles	3 p
Voltage	230 V
Hertz	50-60 Hz
Earth position	6 h
Contact	standard
Connection technology	Screw terminals



Drawing	Amp.	16		32					
		Poles		4	5	3	4	5	
1 MB 43									
Dim. in mm	a	128	128	128	128	128			
	b	84	84	84	84	84			
	c	122	124	136	136	138			
	d	11	11	11	11	11			
	e	68	68	68	68	68			
	f	5,3	5,3	5,3	5,3	5,3			
	g	4	4	4	4	4			
	h	144	145	158	158	160			
	M	25	25	32	32	32			
	M*	2x25 (blind) to be cut out		2x25 (blind) to be cut out					
	Max. cable diam. (mm)	18	18	18/25	18/25	18/25			
	Terminal for cond. cross section (mm ²) min.-max.	1,5	1,5	2,5	2,5	2,5			
		-4	-4	-10	-10	-10			