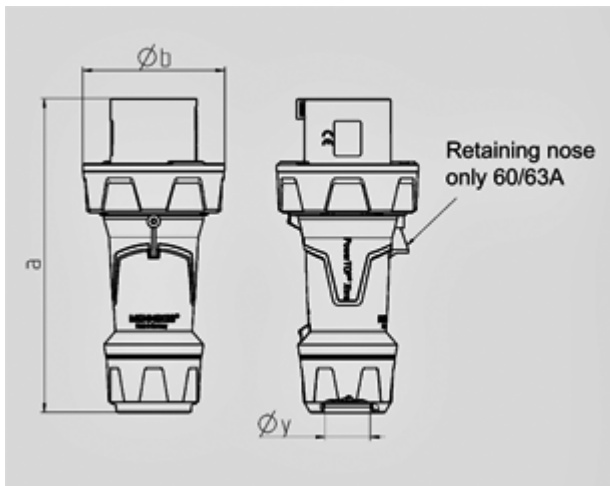


Plug PowerTOP® Xtra - Part no. 13216



- screw terminals
- rubberised grip area
- frame terminals
- highly heat resistant contact carrier
- nickel plated contacts
- cable gland and sealing
- strain relief and protection against kinking
- enclosure with thread lock
- two safety slides

Protection type	IP 67
Ampere	125 A
Poles	3 p
Voltage	230 V
Hertz	50-60 Hz
Earth position	6 h
Contact	nickel plated contacts, highly heat resistant contact carrier
Connection technology	Screw terminals



Drawing	Amp.	63			125		
		Poles			Poles		
2 MB 225		3	4	5	3	4	5
Dim. in mm	a	250	250	250	290	290	290
	b	114	114	114	130	130	130
	y	36	36	36	49	49	49
Terminal for cond. cross		6	6	6	25	25	25
section (mm ²) min.-max.		—16	—16	—16	—50	—50	—50