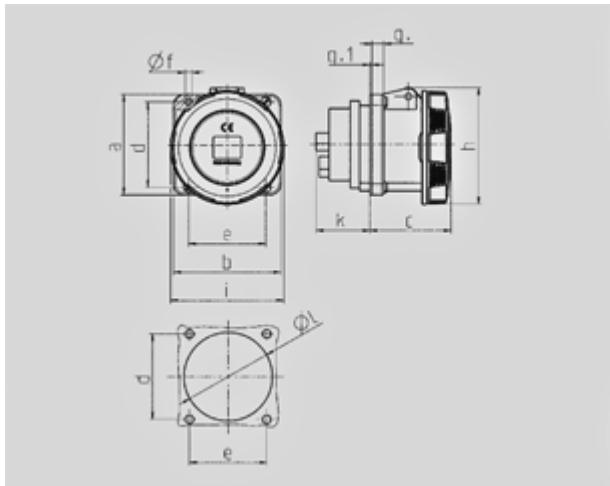


## Panel mounted socket - Part no. 3380



- screw terminals
- X-CONTACT
- straight
- receptacles with pilot contact: part no. + index P

Protection type	IP 67
Ampere	125 A
Poles	3 p
Voltage	230 V
Hertz	50-60 Hz
Earth position	6 h
Contact	standard
Connection technology	Screw terminals, X-CONTACT



Drawing	Amp.	63			125	
		3	4	5	4	5
1 MB 212/258	Poles					
Dim. in mm	a	107	107	107	130	130
	b	100	100	100	130	130
	c	81	81	81	119	119
	d	85	85	85	104	104
	e	77	77	77	104	104
	f	6	6	6	6,5	6,5
	g	12	12	12	18	18
	g.1	2	2	2	2	2
	h	117	117	117	129	129
	i	113	113	113	126	126
	k	55	55	55	43	43
	l	88	88	88	95	95
Terminal for cond. cross section (mm <sup>2</sup> ) min.-max.		6	6	6	25	25
		-25	-25	-25	-70	-70