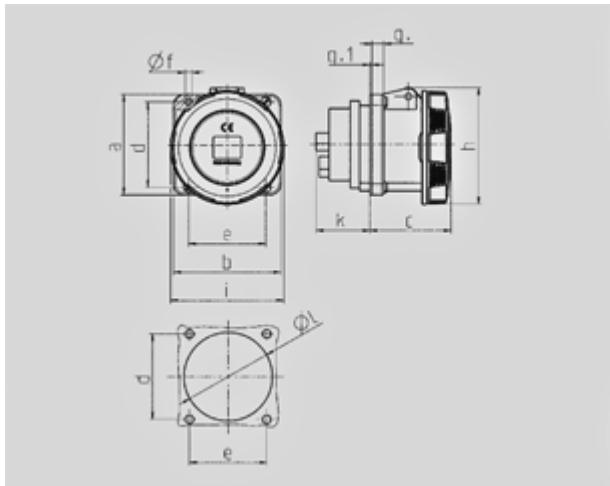


**Panel mounted socket - Part no. 1264A**



- screw terminals
- SoftCONTACT
- straight
- receptacles with pilot contact: part no. + index P

Protection type	IP 67
Ampere	63 A
Poles	3 p
Voltage	230 V
Hertz	50-60 Hz
Earth position	6 h
Contact	standard
Connection technology	Screw terminals, SoftCONTACT



Drawing	Amp.	63			125	
		3	4	5	4	5
<b>1 MB 212/258</b>	<b>Poles</b>					
<b>Dim. in mm</b>	<b>a</b>	107	107	107	130	130
	<b>b</b>	100	100	100	130	130
	<b>c</b>	81	81	81	119	119
	<b>d</b>	85	85	85	104	104
	<b>e</b>	77	77	77	104	104
	<b>f</b>	6	6	6	6,5	6,5
	<b>g</b>	12	12	12	18	18
	<b>g.1</b>	2	2	2	2	2
	<b>h</b>	117	117	117	129	129
	<b>i</b>	113	113	113	126	126
	<b>k</b>	55	55	55	43	43
	<b>l</b>	88	88	88	95	95
	<b>Terminal for cond. cross section (mm<sup>2</sup>) min.-max.</b>	6	6	6	25	25
		-25	-25	-25	-70	-70