

**PHILIPS**

Lighting



# MASTERColour CDM-Rm Mini

## CDM-Rm Elite Mini 20W/830 GX10 MR16 25D

The new Philips MASTERColour CDM-R mini brings trusted MASTERColour quality to 50mm reflector lamps with the superior output and colour stability to create the right atmosphere to match your customers' retail brand and positioning. The easy way to reflect more sparkle.

### Product data

General Information	
Cap-Base	GX10 [ GX10]
Operating Position	UNIVERSAL [ Any or Universal (U)]
Life to 5% Failures (Nom)	9000 h
Life to 10% Failures (Nom)	10000 h
Life to 20% Failures (Nom)	12000 h
Life to 50% Failures (Nom)	15000 h
ANSI Code HID	C156/O
Switching Cycle	1350X

Light Technical	
Color Code	830 [ CCT of 3000K]
Beam Angle (Nom)	25 °
Beam Angle Technical (Nom)	22 °
Beam Angle Technical (Max)	27.5 °
Beam Angle Technical (Min)	16.5 °
Luminous Flux (Rated) (Min)	900 lm
Luminous Flux (Rated) (Nom)	1000 lm
Luminous Intensity (Min)	3100 cd

Luminous Intensity (Nom)	4100 cd
Beam Description	-
Lumen Maintenance 12000 h (Nom)	75 %
Lumen Maintenance 2000 h (Nom)	90 %
Lumen Maintenance 4000 h (Nom)	85 %
Chromaticity Coordinate X (Nom)	0.439
Chromaticity Coordinate Y (Nom)	0.403
Correlated Color Temperature (Nom)	3000 K
Luminous Efficacy (Rated) (Nom)	50 lm/W
Color Rendering Index (Min)	81
Color Rendering Index (Nom)	84
LLMF At End Of Nominal Lifetime (Nom)	70 %
Luminous Flux in 90° Cone (Rated)	900 lm

Operating and Electrical	
Power (Rated) (Nom)	20 W
Re-Ignition Time (Min) (Max)	15 min
Warm Up Time to 60% Light (Nom)	120 s
Ignition Time (Max)	30 s

# MASTERCLOUR CDM-Rm Mini

Voltage (Max)	100 V
Voltage (Min)	90 V
Voltage (Nom)	95 V

## Controls and Dimming

Dimmable	No
Run-Up Time 90% (Max)	3 min

## Mechanical and Housing

Bulb Finish	-
-------------	---

## Approval and Application

Energy Efficiency Label (EEL)	A
Mercury (Hg) Content (Nom)	3.5 mg
Energy Consumption kWh/1000 h	22 kWh

## UV

Pet (Niosh) (Min)	8 h/500lx
-------------------	-----------

Damage Factor D/fc (Max)	0.4
--------------------------	-----

## Luminaire Design Requirements

Reflector Neck Temperature (Max)	215 °C
----------------------------------	--------

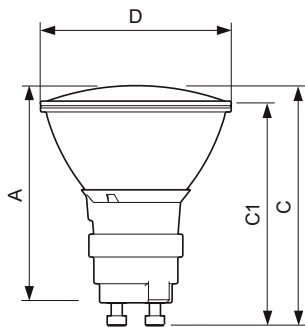
## Product Data

Full product code	871829120301800
Order product name	CDM-Rm Elite Mini 20W/830 GX10 MR16 25D
EAN/UPC - Product	8718291203018
Order code	928191105331
Numerator - Quantity Per Pack	1
Numerator - Packs per outer box	12
Material Nr. (12NC)	928191105331
Net Weight (Piece)	0.047 kg
ILCOS Code	MRS/UB-20/830-H-GX10-51/54.5/25

## Warnings and Safety

- Use only with electronic control gear
- Control gear must include end-of-life protection (IEC61167, IEC 62035)
- A lamp breaking is extremely unlikely to have any impact on your health. If a lamp breaks, ventilate the room for 30 minutes and remove the parts, preferably with gloves. Put them in a sealed plastic bag and take it to your local waste facilities for recycling. Do not use a vacuum cleaner.

## Dimensional drawing

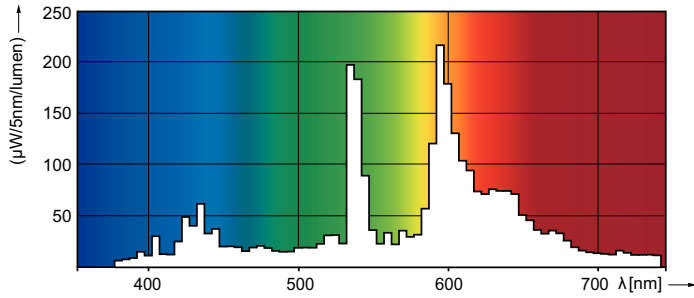


CDM-Rm 20W/830 GX10 MR16 25D

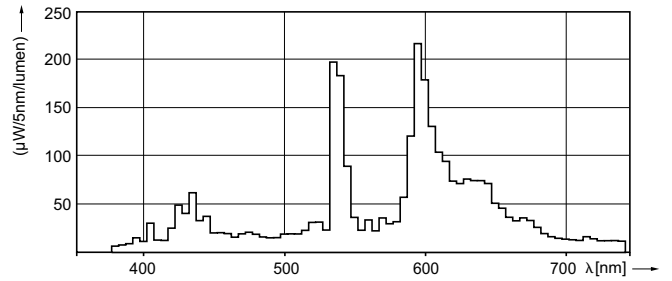
Product	D (max)	D	C (max)	C	C1 (max)	A (max)
CDM-Rm Elite Mini 20W/830 GX10 MR16 25D	51 mm	50 mm	65.4 mm	62.75 mm	60.9 mm	59 mm

# MASTERColour CDM-Rm Mini

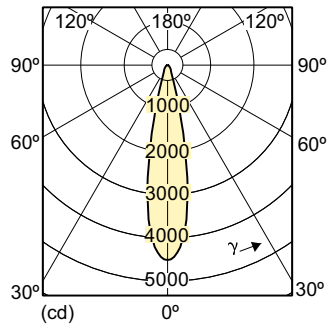
## Photometric data



MASTERColour CDM-R Mini 20W /830

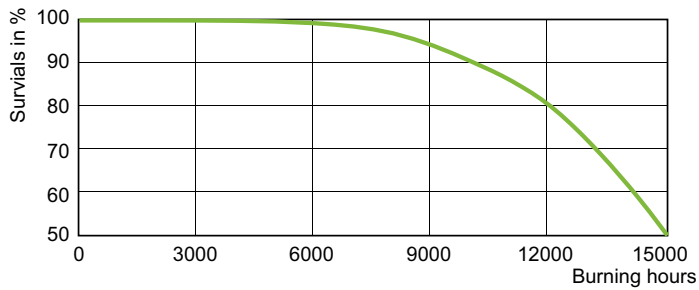


MASTERColour CDM-R Mini 20W /830

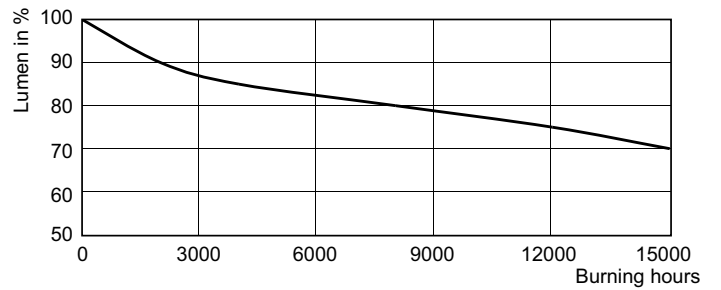


CDM-Rm 20W /830 25D

## Lifetime



CDM-Rm 20W Life Expectancy /830



CDM-Rm 20W Lumen Maintenance /830 VBU

## MASTERColour CDM-Rm Mini

