



# MASTER LEDspot LV AR111

## MAS LEDspotLV D 15-75W 927 AR111 40D

With its new perfect-fit design, the Master LEDspot LV AR111 now works with most of G53 luminaires as a true retrofit solution. The lamp creates a brilliant visual effect for retail and hospitality applications such as shops, showrooms and galleries. The high quality light brings out the true colors in merchandise and emphasizes its beauty. It also lasts long, with a strong lumen and color maintenance. The beautifully designed lamp offers a well-defined beam with a multitude of beam angles to suit various applications. Not only does it employ the Philips patented solution to ensure it is compatible with a broad selection of standard 12V halogen electronic transformers, it also delivers high beam intensity which equivalent to halogen AR111 spots of 50W, 75W or 100W.

### Product data

| General Information         |                 |
|-----------------------------|-----------------|
| Cap-Base                    | G53 [ G53]      |
| Nominal Lifetime (Nom)      | 40000 h         |
| Switching Cycle             | 50000X          |
| Technical Type              | 15-75W          |
| Light Technical             |                 |
| Color Code                  | 927             |
| Beam Angle (Nom)            | 40 °            |
| Light Distribution          | Wide beam 40°   |
| Luminous Flux (Nom)         | 800 lm          |
| Luminous Flux (Rated) (Nom) | 800 lm          |
| Luminous Intensity (Nom)    | 1400 cd         |
| Color Designation           | Warm White (WW) |

| Rated Beam Angle                      | 40 °       |
|---------------------------------------|------------|
| Correlated Color Temperature (Nom)    | 2700 K     |
| Luminous Efficacy (Rated) (Nom)       | 53.33 lm/W |
| Color Consistency                     | <3         |
| Color Rendering Index (Nom)           | 90         |
| LLMF At End Of Nominal Lifetime (Nom) | 70 %       |
| Luminous Flux in 90° Cone (Rated)     | 800 lm     |
| Operating and Electrical              |            |
| Power (Rated) (Nom)                   | 15 W       |
| Lamp Current (Nom)                    | 1800 mA    |
| Wattage Equivalent                    | 75 W       |
| Starting Time (Nom)                   | 0.5 s      |
| Warm Up Time to 60% Light (Nom)       | 0.5 s      |

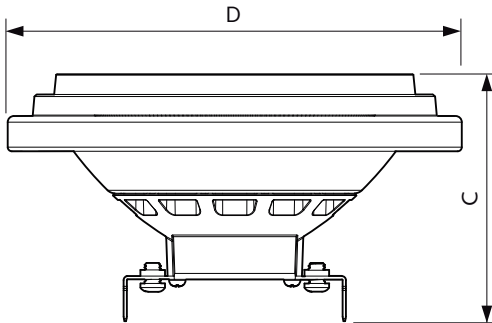
# MASTER LEDspot LV AR111

|                                 |        |
|---------------------------------|--------|
| Power Factor (Nom)              | 0.7    |
| Voltage (Nom)                   | 12 V   |
| <b>Temperature</b>              |        |
| T-Case Maximum (Nom)            | 74 °C  |
| <b>Controls and Dimming</b>     |        |
| Dimmable                        | Yes    |
| <b>Approval and Application</b> |        |
| Suitable For Accent Lighting    | Yes    |
| Energy Efficiency Label (EEL)   | A      |
| Energy Consumption kWh/1000 h   | 17 kWh |

## Product Data

|                                 |                                      |
|---------------------------------|--------------------------------------|
| Full product code               | 871869651500600                      |
| Order product name              | MAS LEDspotLV D 15-75W 927 AR111 40D |
| EAN/UPC - Product               | 8718696515006                        |
| Order code                      | 929001170402                         |
| Numerator - Quantity Per Pack   | 1                                    |
| Numerator - Packs per outer box | 6                                    |
| Material Nr. (12NC)             | 929001170402                         |
| Net Weight (Piece)              | 0.160 kg                             |

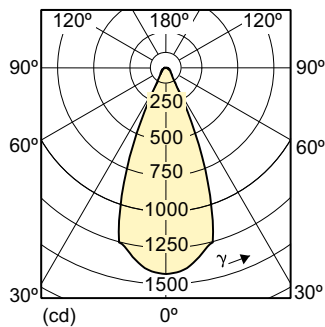
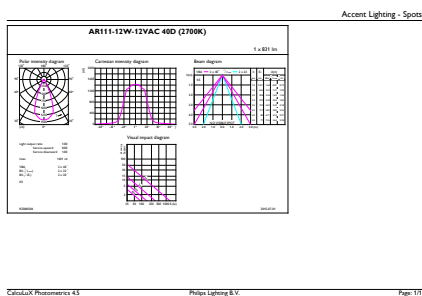
## Dimensional drawing



LED D 15-75W 927 AR111 40D

| Product                              | D      | C     |
|--------------------------------------|--------|-------|
| MAS LEDspotLV D 15-75W 927 AR111 40D | 111 mm | 62 mm |

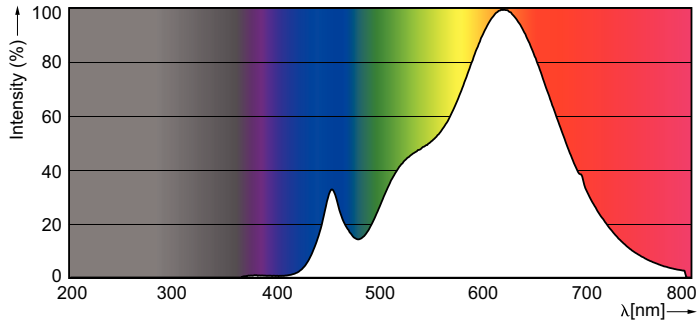
## Photometric data



15-75 W GX53 /927 AR111 40D

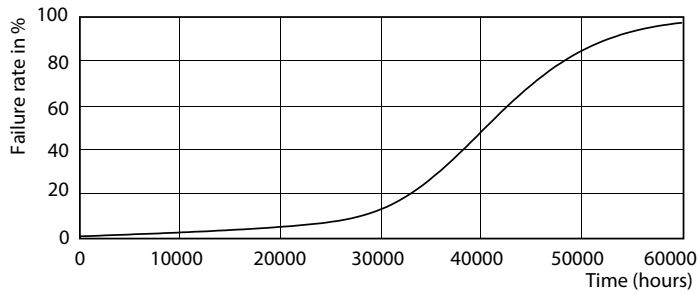
# MASTER LEDspot LV AR111

## Photometric data

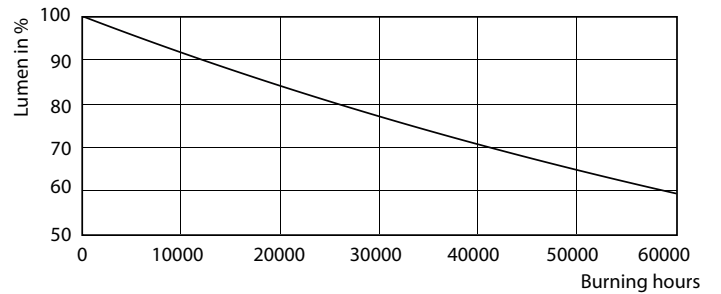


15-75W AR111 /927

## Lifetime



MASTER LEDspotLV AR111 75W G53 940 40D



MASTER LEDspotLV AR111 75W G53 940 40D

