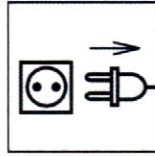


OSRAM OPTOTRONIC® OTi DALI DIM- intelligent dimmer with a DALI interface

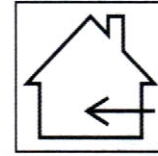
Please follow the relevant safety instructions when working with electronic control gears (ECG)



Electronic control gear should be installed and maintained only by qualified electricians



Disconnect electronic control gear from the power supply before maintenance work



Use indoors only

North American Applications Only

Max: 4.5A, 100W, Class 2 Wiring for Input & Output. Wire stripping 0.2-0.3 in, AWG: 16-22
Suitable for dry locations only. Complies with FCC47 CFR Part 15, Class B

CA US
Item:51349

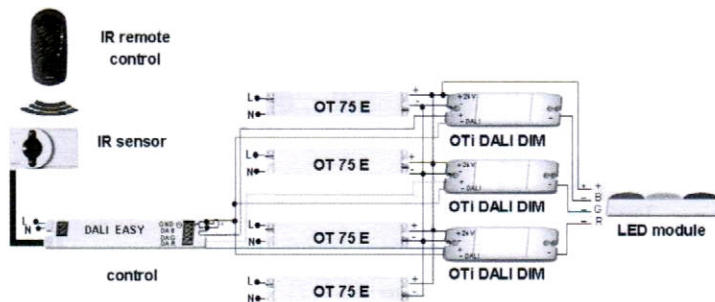
Installation instructions

- To ensure trouble-free operation of the OPTOTRONIC® OTi DALI DIM with a DALI interface, **the wiring for the power supply, DALI system and LED modules must be according to the connection information printed on the unit.**
- The permissible **input voltage, mains frequency and temperature range** of the power supply, control gear and LED modules **must not be above or below the relevant thresholds**, even in the event of a fault. For details see the information printed on the unit, in the appropriate technical data sheets and on the internet at <http://catalog.myosram.com>.
- The faultless operation of the OTi DALI DIM is only warranted with the OPTOTRONIC power supplies for 10V and 24V. An operation with constant current power supplies or batteries is not allowed.
- The OTi DALI DIM in connected between the OPTOTRONIC power supply and the LED-module. The max. output cable length of the power supply and the LED-module has to be observed.
- Only 10V and 24V LED modules and power supplies are specified for the OTi DALI DIM. Connection of several LED modules on two terminal pairs possible.
- OPTOTRONIC® OTi DALI DIM is equipped with an **interface that complies with the DALI standard**. Alternatively, the *Touch DIM* function (single switch operation, without a controller) can be used.
- Touch DIM* must **never be used at the same time** as a DALI control system. Either DALI mode or *Touch DIM* mode, but never both. (see wiring diagrams below and respectively www.osram.com/dali). Synchronisation by different asynchronous OTi DALI DIM by long-short-long press
- Installation details:**
Operation with Touch DIM sensor: max. 4 OTi DALI DIM and 10 m total cable length of the control wire.
Operation without Touch DIM sensor: max. 6 OTi DALI DIM and 25 m total cable length of the control wire.(for longer control wire see DALI- technical guide)
- Fastening and detaching connecting cables:
Manual cabling of the screw clamp by a slot screw driver.
For **wire preparation and conductor cross-sections** see the **information printed on the unit**.
- Further information on using OPTOTRONIC® OTi DALI DIM with a DALI interface is given in the current Indoor and Outdoor Lighting brochure

Sample DALI wiring diagram:



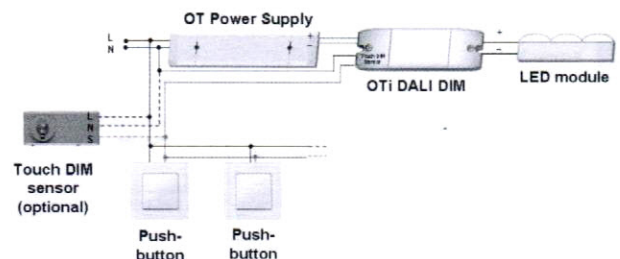
Wiring diagram for colormixing application



Sample *Touch DIM* wiring diagram:



Wiring diagram including present and daylight depending control with Touch DIM sensor



Manufacturer's address: Technical support:

OSRAM AG
Steinerne Furt 62
D-86167 Augsburg
Germany
www.osram.com

www.osram.de
www.osram.com
Customer Service Center
+49 (0) 1803 677-222
(charges apply)

For North America only
Manufacturer's address: Technical support:

OSRAM SYLVANIA Inc. www.sylvania.com
18725 N. Union Street
Westfield, IN 46074
Customer Service Center
Phone: (317) 867-6000
Fax: (317) 867-6111
www.sylvania.com
1-800-LIGHTBULB (1-800-544-4828)

