

Accessories

HAKKO FM-2027 SOLDERING IRON ESD SAFE

Soldering Iron

Tip not included



HAKKO FM-2032 SOLDERING IRON ESD SAFE **New**

Micro Soldering Iron

Tip not included



HAKKO FM-2026 SOLDERING IRON ESD SAFE

70 W N₂ Soldering Iron

Tip not included



HAKKO MODEL FM-2022 PARALLEL REMOVER ESD SAFE

SMD Hot Tweezers

Tip not included



HAKKO FM-2029 HOT AIR HANDPIECE ESD SAFE

Hot-Air Pencil

Nozzle not included



HAKKO MODEL FM-2023 MINI PARALLEL REMOVER ESD SAFE

Mini SMD Hot Tweezers

Tip included



HAKKO FM-2030 SOLDERING IRON ESD SAFE

Heavy Duty Soldering Iron

Tip not included



HAKKO MODEL FM-2024 DESOLDERING TOOL ESD SAFE

Desoldering Tool

Nozzle not included



HAKKO FM-2031 SOLDERING IRON ESD SAFE

140 W N₂ Soldering Iron

Tip not included



High Performance Rework Station & Accessories

Specifications

Model No.	FM-203
Power consumption	140 W
Temperature range	FM-2026/2027: 200 to 450°C FM-2022/2023: 200 to 400°C FM-2032: 200 to 450°C FM-2024: 350 to 450°C
Temperature stability	±5°C at idle temperature

Station

Output voltage	AC 24 V
Dimensions	120 (W) × 120 (H) × 190 (D) mm
Weight	2.7 kg

Soldering Iron (FM-2027)

Power consumption	70 W (24 V)
Tip to ground resistance	<2 Ω
Tip to ground potential	<2 mV
Heating element	Composite heater
Cord length	1.2 m
Total length*	188 mm (with 2.4D tip)
Weight*	30 g (with 2.4D tip)

* Without cord

Model No.	FM-206
Power consumption	410 W (max.)
Temperature range	FM-2026/2027: 200 to 450°C FM-2022/2023: 200 to 400°C FM-2024: 350 to 450°C FM-2029: 100 to 550°C FM-2030: 200 to 500°C FM-2031: 200 to 500°C FM-2032: 200 to 450°C
Temperature stability	±5°C at idle temperature

Station

Output voltage	AC 24 V
Vacuum generator	Cylinder type vacuum pump
Vacuum pressure	80 kPa (600 mmHg, max.)
Suction flow	14 L/min.
Air flow	6 L/min. (max.)
Dimensions	162 (W) × 136 (H) × 245 (D) mm
Weight*	6.2 kg

Soldering Iron (FM-2027)

Power consumption	70 W (24 V)
Tip to ground resistance	<2 Ω
Tip to ground potential	<2 mV
Heating element	Composite heater
Cord length	1.2 m
Total length*	188 mm (with 2.4D tip)
Weight*	30 g (with 2.4D tip)

Desoldering Tool (FM-2024)

Power consumption	70 W (24 V)
Nozzle to ground resistance	<2 Ω
Nozzle to ground potential	<2 mV
Heating element	Composite heater
Cord length	1.2 m
Total length*	180 mm (with ø1.0 mm nozzle)
Weight**	65 g (with ø1.0 mm nozzle)

Hot Air Handpiece (FM-2029)

Power consumption	140 W (24 V)
Nozzle to ground resistance	<2 Ω
Nozzle to ground potential	<2 mV
Heating element	Composite heater
Cord length	1.2 m
Total length**	232 mm (with ø4.0 mm nozzle)
Weight***	50 g (with ø4.0 mm nozzle)

* Without cord ** Without cord and hose *** Without cord and tube

Model No.	FM-2022
Power consumption	140 W (24 V)
Tip to ground resistance	<2 Ω
Tip to ground potential	<2 mV
Heating element	Composite heater
Cord length	1.2 m
Total length*	148 mm (with SOP 25L tip)
Weight*	64 g (with SOP 25L tip)

* Without cord

Model No.	FM-2023
Power consumption	140 W (24 V)
Tip to ground resistance	<2 Ω
Tip to ground potential	<2 mV
Heating element	Composite heater
Standard tip	Shape-I: 2 pcs/set (No.T9-I)
Cord length	1.2 m
Total length*	117 mm (with I tip)
Weight*	37 g (with I tip)

* Without cord

Model No.	FM-2024
Power consumption	70 W (24 V)
Nozzle to ground resistance	<2 Ω
Nozzle to ground potential	<2 mV
Heating element	Composite heater
Cord length	1.2 m
Total length*	180 mm (with ø1.0 mm nozzle)
Weight*	65 g (with ø1.0 mm nozzle)

• Desoldering Tool

Power consumption	70 W (24 V)
Nozzle to ground resistance	<2 Ω
Nozzle to ground potential	<2 mV
Heating element	Composite heater
Cord length	1.2 m
Total length*	180 mm (with ø1.0 mm nozzle)
Weight*	65 g (with ø1.0 mm nozzle)

• Desolder Control Box

Power consumption	12 W (24 V)
Output voltage	24 V
Vacuum generator	Ejector type
Vacuum pressure	Max. 93 kPa (700 mmHg)
Suction flow	28 L/min.
Nozzle to ground potential	<2 mV
Applied air pressure	490 kPa (5.0 kgf/cm ²) While trigger or button is pressed
Compressed air consumption	46 L/min.
Outer dimensions	119 (W) × 45 (H) × 172 (D) mm
Weight*	1.2 kg

* Without cord

Model No.	FM-2026
Power consumption	70 W (24 V)
Tip to ground resistance	<2 Ω
Tip to ground potential	<2 mV
Heating element	Composite heater
Cord length	1.2 m
Total length*	205 mm (with 2.4D tip)
Weight*	45 g (with 2.4D tip and nozzle assembly C)

* Without cord and tube

Model No.	FM-2027
Power consumption	70 W (24 V)
Tip to ground resistance	<2 Ω
Tip to ground potential	<2 mV
Heating element	Composite heater
Cord length	1.2 m
Total length*	188 mm (with 2.4D tip)
Weight*	30 g (with 2.4D tip)

* Without cord

Specifications

Model No.	FM-2030
Power consumption	140 W (24 V)
Tip to ground resistance	<2 Ω
Tip to ground potential	<2 mV
Heating element	Composite heater
Cord length	1.3 m
Total length*	224 mm (with 2.4D tip)
Weight*	41 g (with 2.4D tip)

* Without cord

Model No.	FM-2032
Power consumption	48 W (24 V)
Tip to ground resistance	<2 Ω
Tip to ground potential	<2 mV
Heating element	Composite heater
Cord length	1.3 m
Total length*	170 mm (with 1D tip)
Weight*	14 g (with 1D tip)

* Without cord

Model No.	FM-2031
Power consumption	140 W (24 V)
Tip to ground resistance	<2 Ω
Tip to ground potential	<2 mV
Heating element	Composite heater
Cord length	1.2 m
Total length*	231 mm (with 2.4D tip)
Weight*	47 g (with 2.4D tip and nozzle assembly E)

* Without cord and tube

Packing List

FM-203	Station, Handpiece (FM-2027), Sleeve assembly, Connecting cable, Power cord, Control card, Iron holder, Tip tray, Heat resistant pad, Instruction manual
FM-206	Station, Power cord, Tip tray, Desoldering tool (FM-2024), Handle (for gun configuration for FM-2024), Iron holder (for FM-2024), Ceramic paper filter (10 pcs; for FM-2024), Nozzle remover (for FM-2024), Cleaning drill for heating element (for FM-2024), Connecting cable (for FM-2024), Handpiece (FM-2027), Iron holder (for FM-2027), Heat resistant pad (for FM-2027), Connecting cable (for FM-2027), Hot air handpiece (FM-2029), Iron holder (for FM-2029), Heat resistant pad (for FM-2029), Connecting cable (for FM-2029), Instruction manual
FM-2022 (Conversion kit)	Parallel remover, Heat resistant pad, Iron holder, Connecting cable, Instruction manual
FM-2023 (Conversion kit)	Mini parallel remover, Soldering tip (T9-I), Heat resistant pad, Iron holder, Component bed, Connecting cable, Instruction manual

FM-2024 (Conversion kit, with DCB)	Desoldering tool, Handle (for gun configuration), Desoldering control box, Filter pipe assembly, Iron holder, Cleaning drill for heating element, Nozzle remover, Ceramic paper filter (10 pcs), Connecting cable, Instruction manual
FM-2026 (Conversion kit)	Handpiece, Sleeve cover, Sleeve assembly (yellow), Heat resistant pad, Iron holder, Connecting cable, Instruction manual
FM-2027 (Conversion kit)	Handpiece, Sleeve assembly (yellow), Heat resistant pad, Iron holder, Connecting cable
FM-2029 (Conversion kit)	Handpiece (hot air), Handpiece holder, Heat resistant pad, Connecting cable, Instruction manual
FM-2030 (Conversion kit)	Handpiece (soldering), Heat resistant pad, Iron holder, Connecting cable, Instruction manual
FM-2031 (Conversion kit)	Handpiece (soldering), Heat resistance pad, Iron holder, Connecting cable, Instruction manual
FM-2032 (Conversion kit)	Handpiece, Heat resistant pad, Iron holder, Connecting cable, Instruction manual

FM-2024 Features

Please see the features on P.55.

FM-2029 Features

Securely and easily remove 10 x 10 (mm) chips.

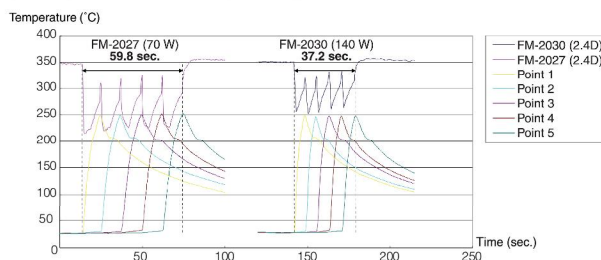


FM-2032 Size



FM-2030 Features

Graph of a comparison of the performance of FM-2027 (70 W) and FM-2030 (140 W)



Test criteria

Test method	Solder at 5 points and measure the time until the temperature of the workpiece reaches 250°C.
Board	Bakelite board
Component used	Screw
Tip shape	Shape-2.4D
Temperature setting	350°C
Solder	Lead-free solder (Sn/Ag/Cu), diameter: 1.0 mm

High Performance Soldering Accessories

Optional Tips for the FM-2027

Unit: mm

Standard type

B	T12-B Shape-B	T12-B2 Shape-0.5B	T12-B3 Shape-0.7B	T12-B4 Shape-0.4B	T12-BL Shape-BL
BC	T12-BC1 Shape-1BC T12-BCF1*	T12-BC2 Shape-2BC T12-BCF2*	T12-BC3 Shape-3BC T12-BCF3*	T12-BCM2 Shape-2BC Bevel with indent	T12-BCM3 Shape-3BC Bevel with indent
C	T12-C08 Shape-0.8C	T12-C1 Shape-1C	T12-C4 Shape-4C T12-CF4*		
D	T12-D08 Shape-0.8D	T12-D12 Shape-1.2D	T12-D16 Shape-1.6D	T12-D24 Shape-2.4D	T12-D4 Shape-4D
	T12-D52 Shape-5.2D	T12-DL08 Shape-0.8DL	T12-DL12 Shape-1.2DL	T12-DL32 Shape-3.2DL	T12-DL52 Shape-5.2DL
I	T12-I Shape-I	T12-IL Shape-IL	T12-ILS Shape-ILS		
J	T12-J02 Shape-0.2J	T12-JL02 Shape-0.2JL	T12-JS02 Shape-0.2JS		
K	T12-K Shape-K	T12-KF Shape-KF	T12-KL Shape-KL	T12-KR Shape-KR	T12-KU Shape-KU

* These tips are tinned on the soldering surface only.

Concave type

<p>T12-1610</p>	<p>T12-1611</p>
------------------------	------------------------

SMD type

Quad	T12-1201 Quad 13.6 x 8.5 	T12-1202 Quad 10.3 x 10.3 	T12-1203 Quad 12.8 x 12.8 	T12-1204 Quad 17.9 x 17.9 	T12-1205 Quad 23.4 x 17.3
	T12-1206 Quad 22.5 x 16.5 	T12-1207 Quad 15.5 x 15.5 	T12-1208 Quad 15.8 x 15.8 	T12-1209 Quad 8.4 x 8.4 	
Tunnel	T12-1001 Tunnel 5.1 x 4.6 	T12-1002 Tunnel 5.1 x 10.4 	T12-1003 Tunnel 9.5 x 18.3 	T12-1004 Tunnel 9.5 x 15.8 	T12-1005 Tunnel 9.5 x 13.2
	T12-1006 Tunnel 6.9 x 11.4 	T12-1007 Tunnel 7.9 x 18.8 	T12-1008 Tunnel 19.5 x 10.2 	T12-1009 Tunnel 13.4 x 20.5 	T12-1010 Tunnel 19.5 x 12
Spatula	T12-1401 Spatula 10.4 	T12-1402 Spatula 15.7 	T12-1403 Spatula 21.2 	T12-1404 Spatula 25 	T12-1405 Spatula 32
	T12-1406 Spatula 40 				

Long life type

T12-B2Z Shape-0.5B (Z) 	T12-BC1Z Shape-1BC (Z) T12-BCF1Z* 	T12-BC2Z Shape-2BC (Z) T12-BCF2Z* 	T12-BC3Z Shape-3BC (Z) T12-BCF3Z* 	T12-BZ Shape-B (Z)
T12-C4Z Shape-4C (Z) T12-CF4Z* 	T12-D12Z Shape-1.2D (Z) 	T12-D16Z Shape-1.6D (Z) 	T12-D24Z Shape-2.4D (Z) 	T12-D4Z Shape-4D (Z)
T12-KFZ Shape-KF (Z) 	T12-KRZ Shape-KR (Z) 			

* These tips are tinned on the soldering surface only.

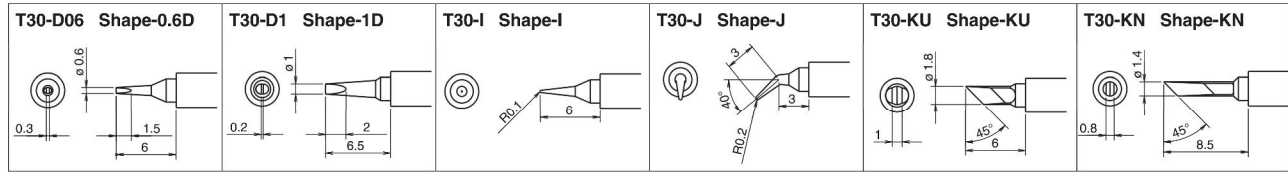
Heavy duty type

T12-WB2 Shape-0.5WB 	T12-WD08 Shape-0.8WD 	T12-WD12 Shape-1.2WD 	T12-WD16 Shape-1.6WD 	T12-WD52 Shape-5.2WD 	T12-WI Shape-WI

High Performance Rework Station & Accessories

Optional Tips for the FM-2032

Unit: mm

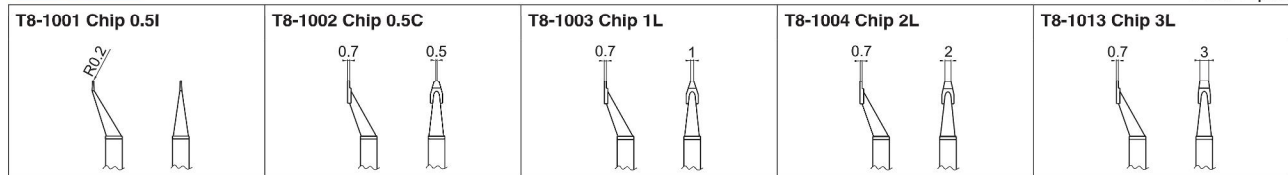


Optional Tips for the FM-2022

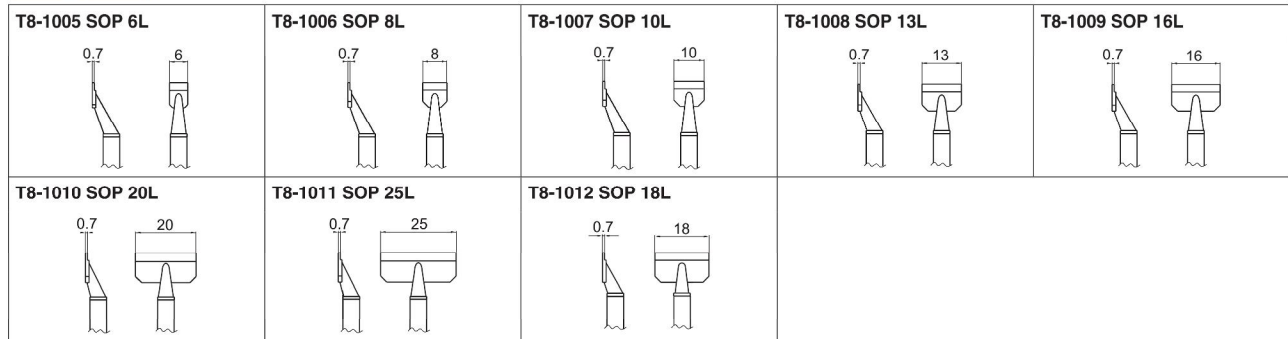
Unit: mm

CHIP

*1 set: 2 pcs



SOP

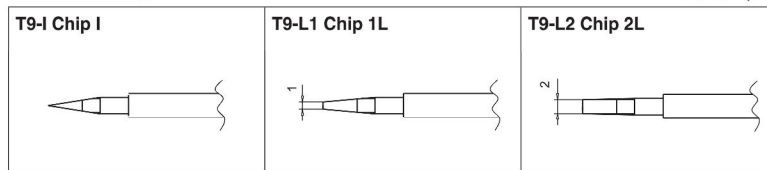


Replacement Tips for the FM-2023

Unit: mm

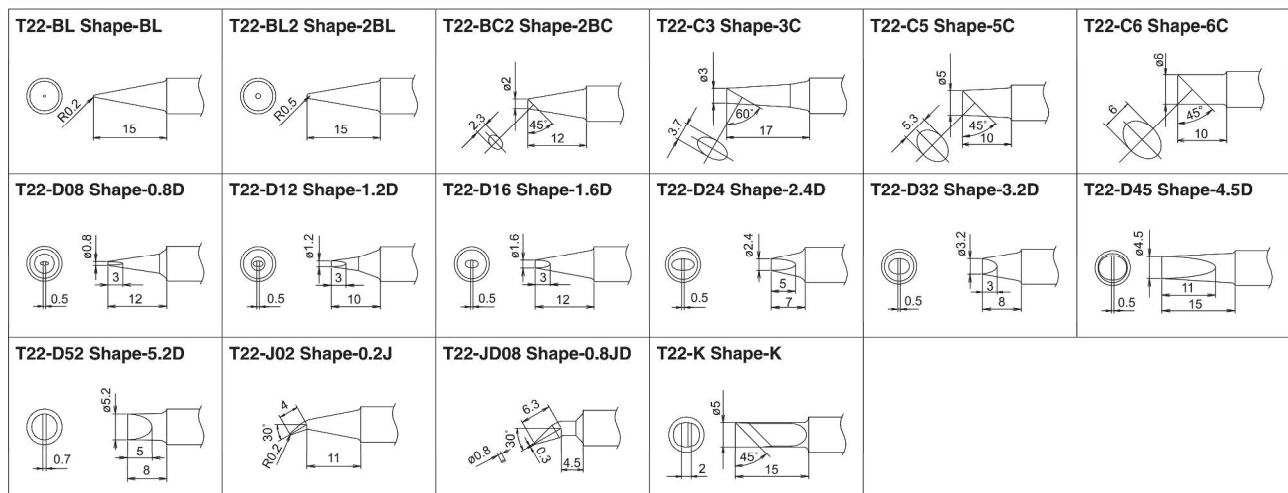
CHIP

*1 set: 2 pcs



Optional Tips for the FM-2030

Unit: mm



Optional Nozzles for the FM-2024

Unit: mm

<p>N1-06 Nozzle $\phi 0.6$</p>	<p>N1-08 Nozzle $\phi 0.8$</p>	<p>N1-10 Nozzle $\phi 1.0$</p>	<p>N1-13 Nozzle $\phi 1.3$</p>	<p>N1-16 Nozzle $\phi 1.6$</p>
<p>N1-20 Nozzle $\phi 2.0$</p>	<p>N1-23 Nozzle $\phi 2.3$</p>	<p>N1-L10 Nozzle $\phi 1.0$ Long</p>		

Optional Nozzles for the FM-2029

Unit: mm

		ϕA	ϕB
N4-01 Nozzle $\phi 2.0$		2.0	2.5
N4-02 Nozzle $\phi 4.0$		4.0	5.0
N4-03 Nozzle $\phi 6.0$		6.0	7.0
N4-04 Nozzle $\phi 8.0$		8.0	9.0

Optional Tips for the FM-2026

Please see the optional tips on P.32.

Optional Tips for the FM-2031

Please see the optional tips on P.32.